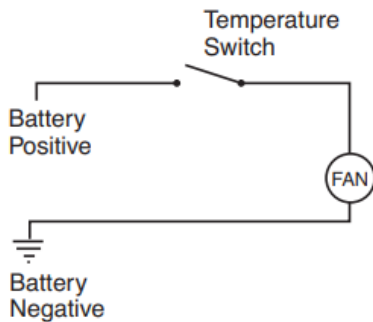


# Optional Temperature Control Switch

Use these Temperature Switches to control oil temperature by cycling the cooling fan to maintain the desired entering, or leaving temperature. The Temperature Switches are designed to be installed in the drain ports of the DC Series Coolers, and in the reservoirs or piping of AC/ACD Series Coolers. Depending on how the cooler is plumbed, it can be used to control the temperature of the oil either entering, or leaving the cooler.

It is a normally open switch that closes on temperature rise.  
Two Models to satisfy a wide range of applications.

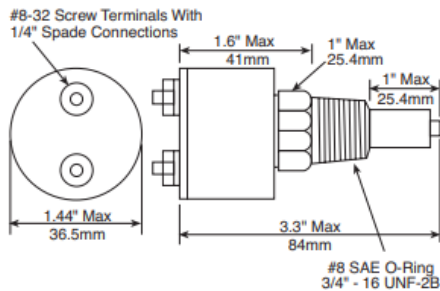
## Schematic



## Specifications

TC -115 Set Point .....	115°F
TC -140 Set Point .....	140°F
Set Point Tolerance .....	±5°F
Maximum Temperature .....	325°F
Current Rating .....	10 Amps at 12 Volts
	5 Amps at 24 Volts
Differential .....	8° - 16° F
Switch Body .....	Brass
Housing .....	Nylon

## Dimensions



## Model Numbers

**TC -115**  
**TC -140**