



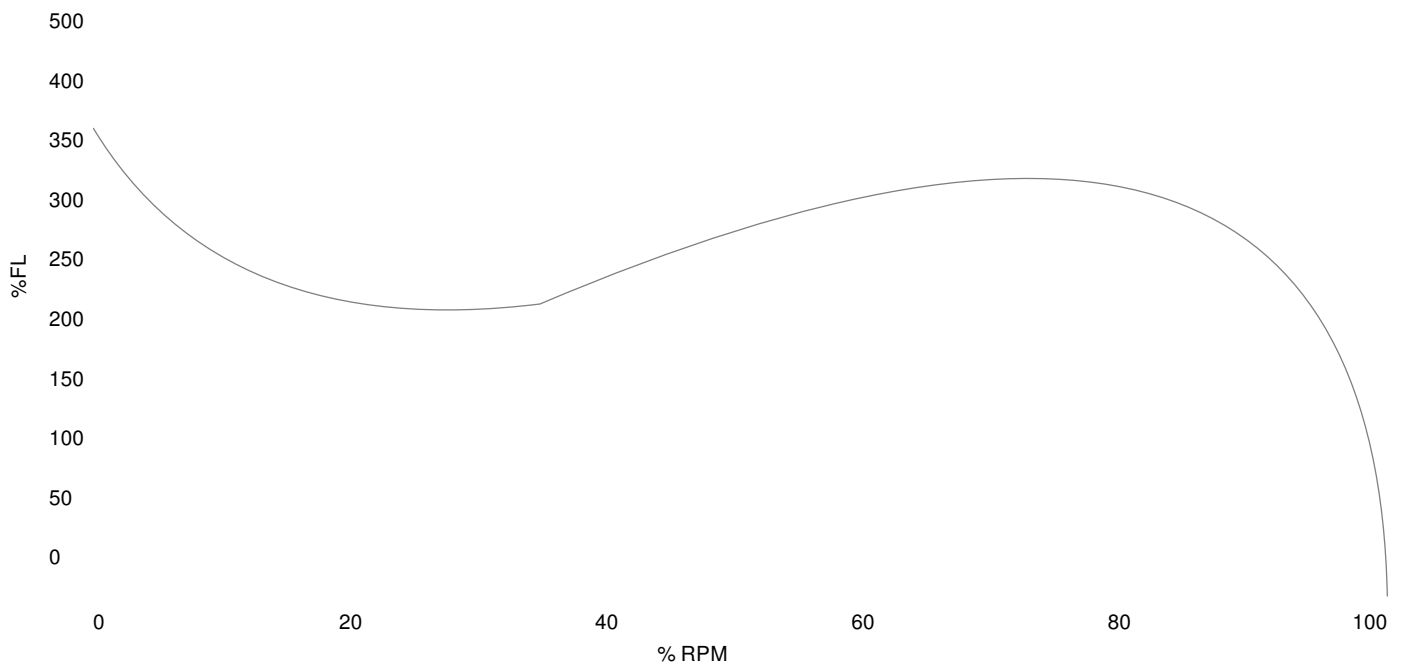
Single Phase

NEMA

MOTOR MODEL:	RD1-RS-TF-215TC-4-B-B-10
FACTORY TYPE:	SLF

NEMA Rolled Steel, TEFC

Torque Speed (T-n) Curve

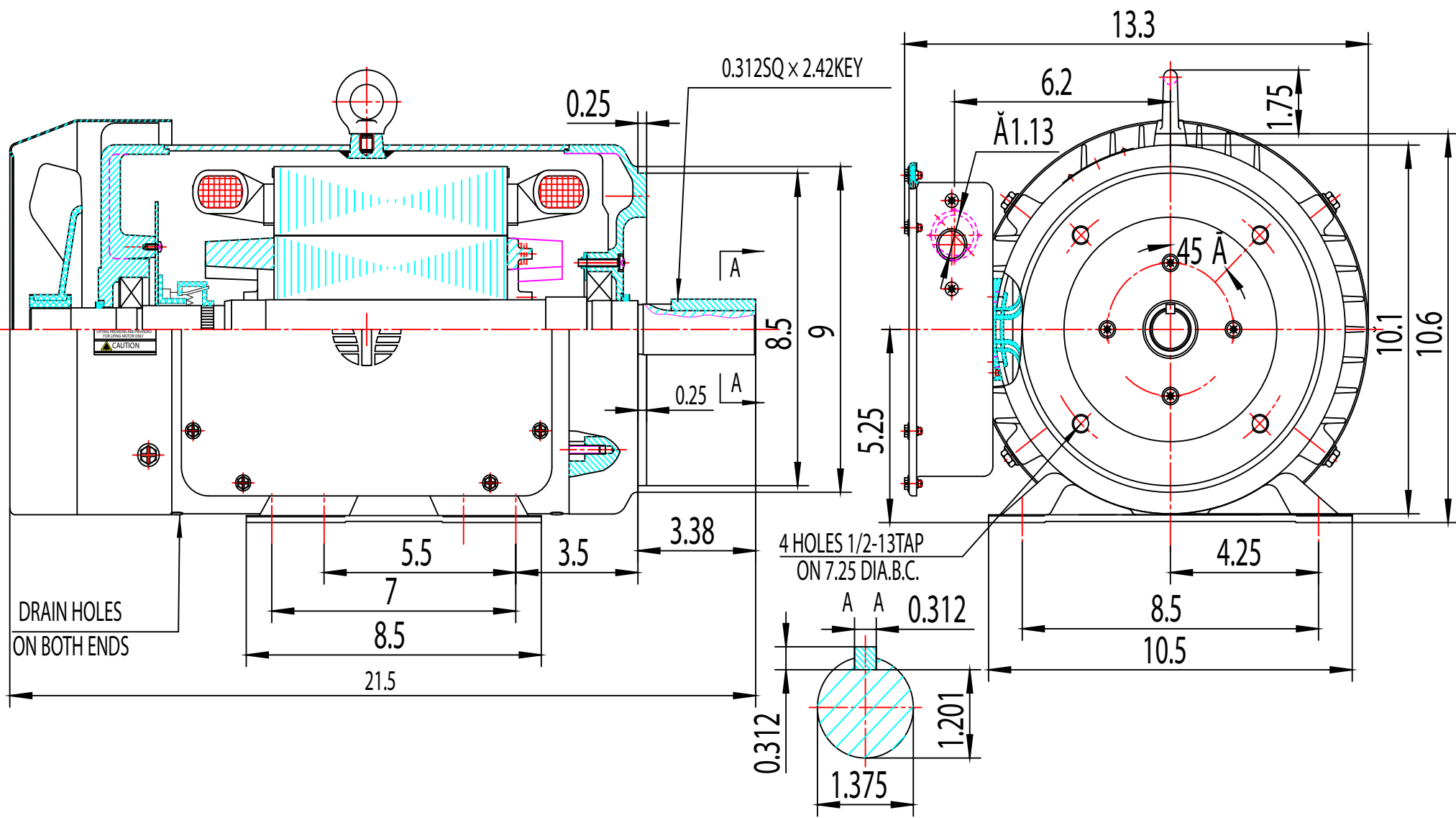


Performance Load Values, High Voltage, 60Hz

Torque Values	Torque lb-ft	% FLT	Performance Values	
Locked Rotor Torque	108.962	362.0	Start Configuration	-
Pull-Up Torque	58.9958	196.0	Starting Current (A)	-
Breakdown Torque	68.0258	226.0	No-Load Current (A)	-
Full Load	30.0999	100.0	No-Load Power Factor	-

% Load	Horsepower	Current, Amps	Input power, Kilowatts	Speed, RPM	Efficiency	PF
0	-	-	-	-	-	-
25	-	-	-	-	-	-
50	-	-	-	-	-	-
75	-	-	-	-	-	-
100	-	-	-	-	-	-
125	-	-	-	-	-	-

Techtop Industries
 2815 Colonnades Court
 Peachtree Corners, GA 30071
 Tel: 678-436-5540
 E-Mail: info@techttopind.com



RD1-RS-TF-215TC-4-B-B-10

OUTLINE-215T-KIT C FRAME
SINGLE PHASE-TEFC