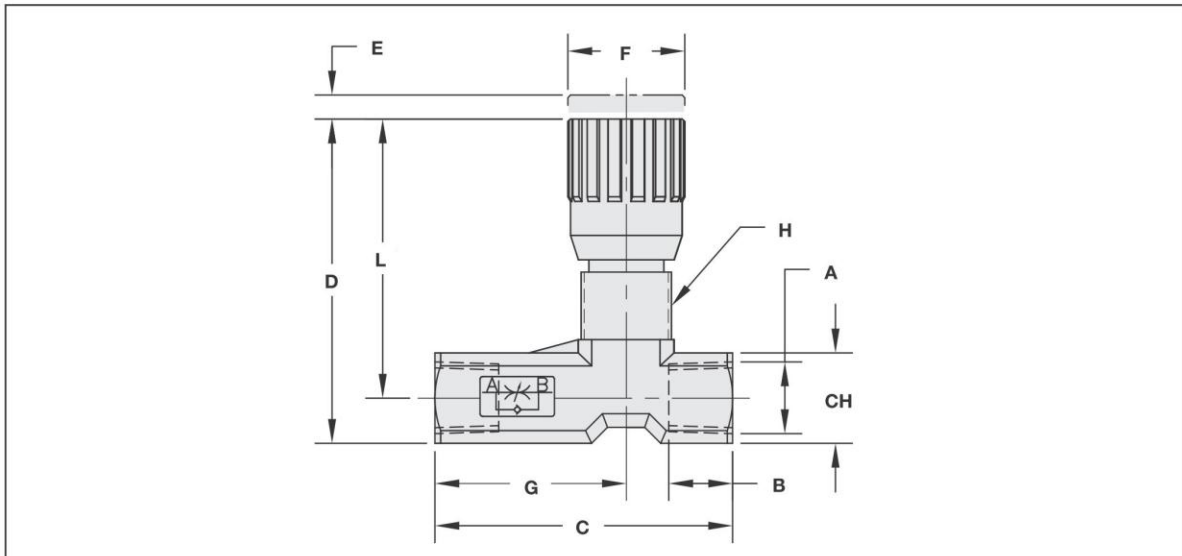
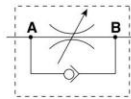


Specifications

- Sizes to 1/4", 3/8" and 1/2"
- NPT or BSP Threads
- Working Pressure 3000 PSI (200 bar)
- Nickel Plated Brass Body, Stainless Steel Needle
- Flow Setting Can Be Locked With Handle Set Screw
- Stem Seal-Buna With PTFE Back Up Ring
- Temperature range: -30°F to 250°F (-34°C to 121°C)

Options

- VITON Seals
- Panel Mount Lock Nut (See Page V56)



Dimensions

Part Number	Thread A	B		C		D		E		F		G		H	L		CH		Weight		
		mm	in	mm	in	mm	in	mm	in	mm	in	mm	in		mm	in	mm	in	kg	lb	
FCM-8N	1/4" NPT	12		56		57		4,5		22		11,5		M17X1	11		17		0.14		
FCM-8B	1/4" BSP		0.47		2.20		2.24		0.18		0.87		0.45			0.43		0.67		0.31	
FCM-8S	-4 SAE																				
FCM-10N	3/8" NPT	13		64,5		69		7		27		12,5		M20X1	15		22		0.26		
FCM-10B	3/8" BSP		0.51		2.54		2.72		0.28		1.06		0.49			0.59		0.97		0.57	
FCM-10S	-6 SAE																				
FCM-12N	1/2" NPT	16		87		82		10		33		13		M25X1,5	19		27		0.49		
FCM-12B	1/2" BSP		0.63		3.42		3.23		0.39		1.30		0.51			0.75		1.06		1.08	
FCM-12S	-8 SAE																				

* Consult factory for delivery on SAE, BSP Threads.