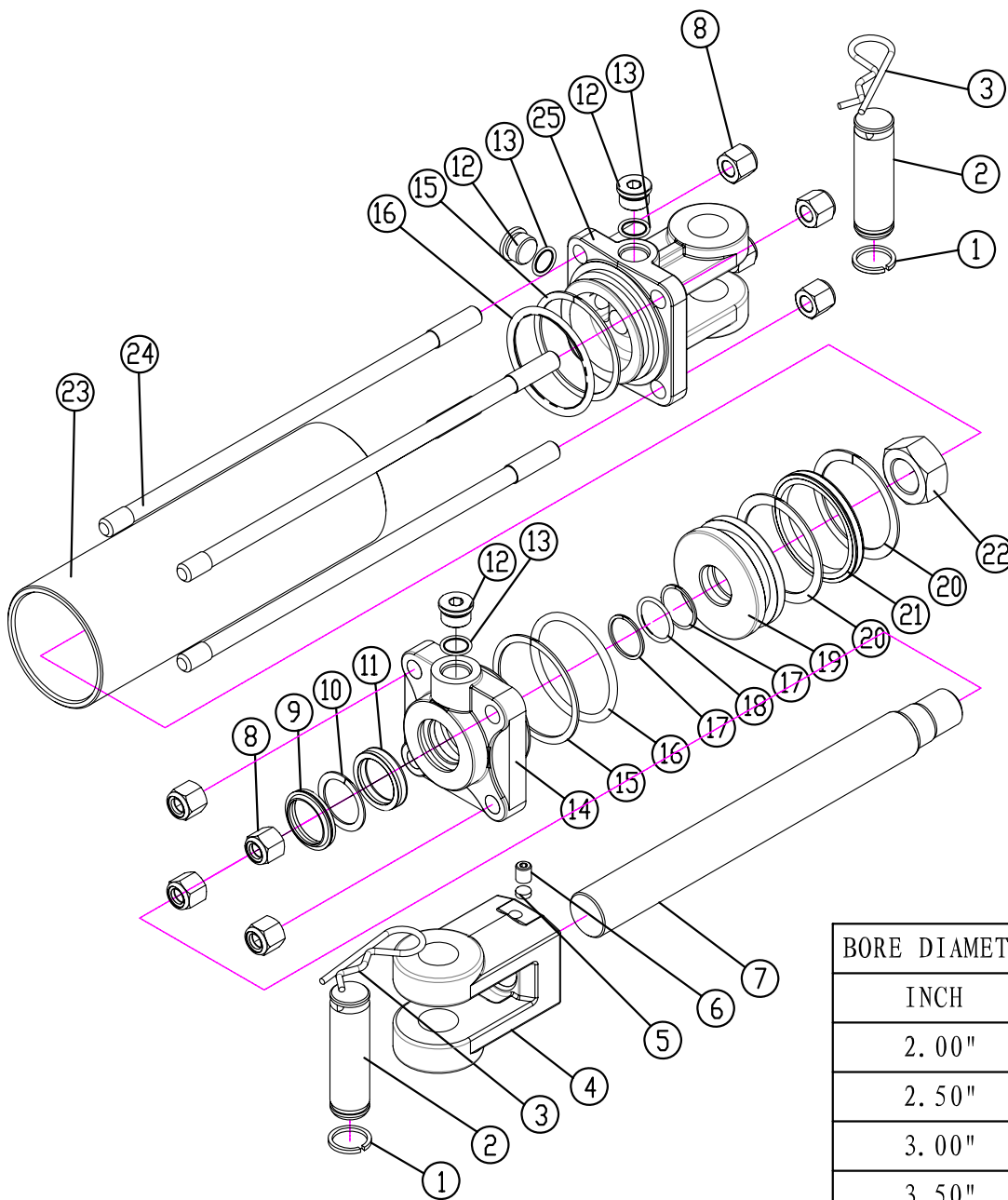


Cylinder Parts List



BORE DIAMETER	PISTON NUT TORQUE
INCH	FT-LBS (N.M)
2.00"	158 (215)
2.50"	158 (215)
3.00"	316 (430)
3.50"	463 (630)
4.00"	463 (630)
5.00"	1131 (1539)

No.	PART DESCRIPTION	QTY	No.	PART DESCRIPTION	QTY	No.	PART DESCRIPTION	QTY
1	C-RING	2	10	BACK-UP RING	1	19	PISTON	1
2	ACTIVE PIN	2	11	U-CUP SEAL	1	20	BACK-UP RING	1
3	"R"RETAINED PIN	2	12	STEEL PIPE PLUG	3	21	SEAL SET	1
4	ROD CLEVIS	1	13	O-RING	3	22	PISTON NUT	1
5	WASHER	1	14	TOP CAP	1	23	CYLINDER TUBING	1
6	SET SCREW	1	15	BACK-UP RING	2	24	TIE ROD	4
7	PISTON ROD	1	16	O-RING	2	25	BASE CLEVIS	1
8	TIE ROD NUT	8	17	BACK-UP RING	2			
9	ROD WIPER SEAL	1	18	O-RING	1			