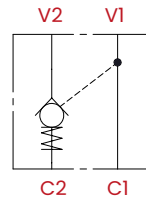
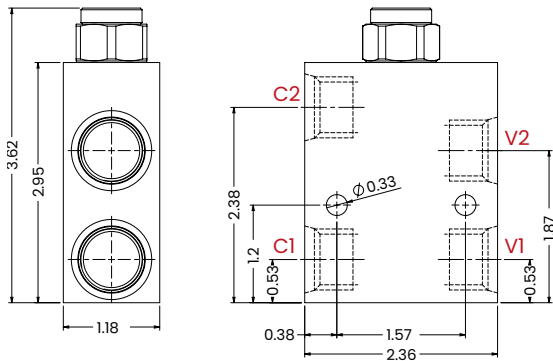


## LOCK VALVES

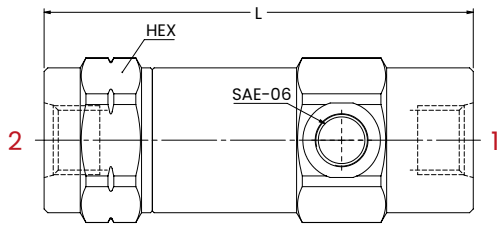
### SINGLE PILOT OPERATED CHECK VALVES

These pilot operated check valves are used to lock a double acting actuator in one direction.

#### DIMENSIONS



LVS-08S



LVSF-08S

| Bailey Part No. | Model Code | Port Size | Pressure psi | Flow gpm | Pilot Ratio | Cracking Pressure psi | Weight lb |
|-----------------|------------|-----------|--------------|----------|-------------|-----------------------|-----------|
| 280413          | LVS-08S    | SAE-08    | 5,075        | 9.2      | 1:7         | 65                    | 1.87      |
| 280414          | LVSF-08S   | SAE-08    | 5,075        | 10.6     | 1:5         | 65                    | 2.28      |

**Material:** Zinc plated steel body

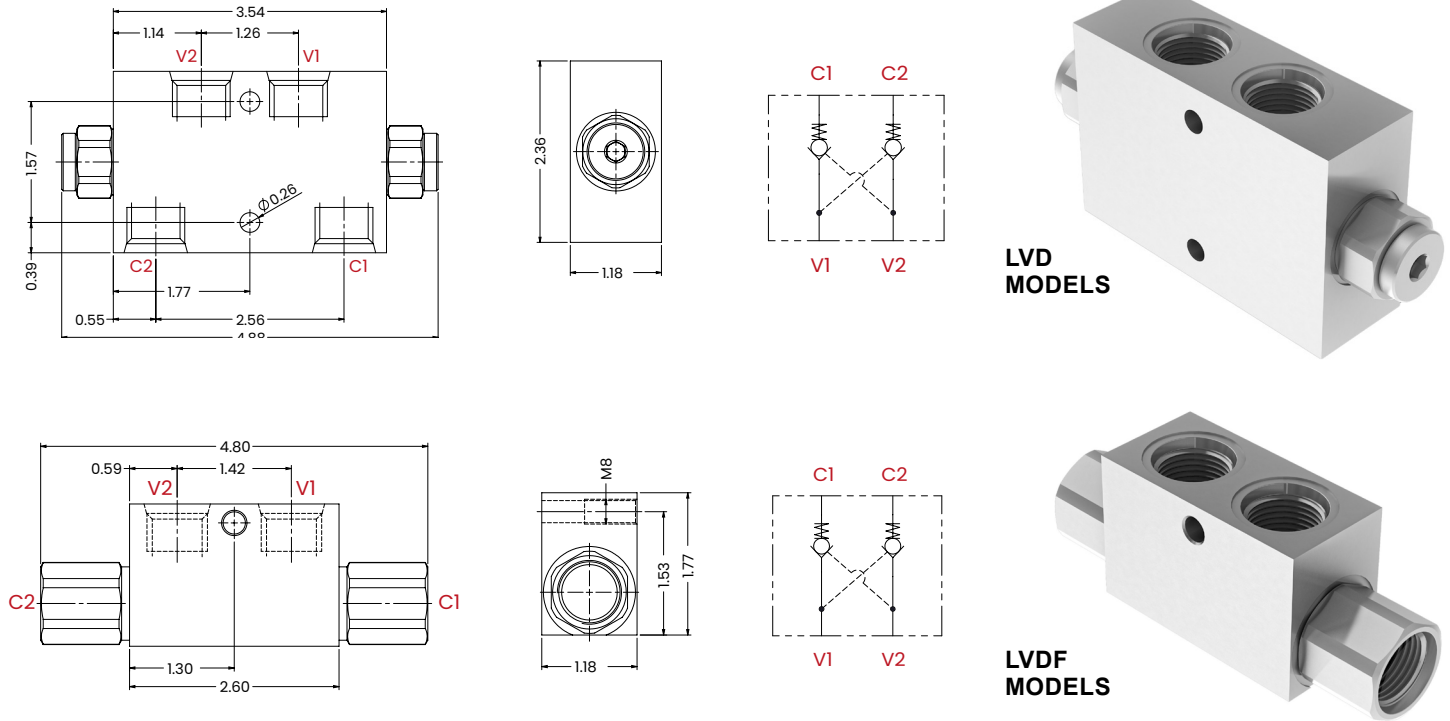
#### Recommended working conditions:

- Filtration: 15 microns or better
- Ambient temperature: -4° to 122°F (-20° to 50°C)
- Oil Viscosity: 15° to 250 cSt
- Oil Temperature: -4° to 176°F (-20° to 80°C)

### DOUBLE PILOT OPERATED CHECK VALVES

These pilot operated check valves are used to lock a double acting actuator in both directions.

#### DIMENSIONS



| Bailey Part No. | Model Code | Port Size | Pressure psi | Flow gpm | Pilot Ratio | Cracking Pressure psi | Weight lb |
|-----------------|------------|-----------|--------------|----------|-------------|-----------------------|-----------|
| 280417          | LVD-06S    | SAE-06    | 5,075        | 5.3      | 1:3.3       | 65                    | 2.86      |
| 280418          | LVD-08S    | SAE-08    | 5,075        | 9.2      | 1:3.3       | 65                    | 2.64      |
| 280415          | LVDF-06S   | SAE-06    | 5,075        | 5.3      | 1:5.5       | 65                    | 1.39      |
| 280416          | LVDF-08S   | SAE-08    | 5,075        | 9.2      | 1:5.5       | 65                    | 1.32      |

**Material:** Zinc plated steel body

#### Recommended working conditions:

- Filtration: 15 microns or better
- Ambient temperature: -4° to 122°F (-20° to 50°C)
- Oil Viscosity: 15° to 250 cSt
- Oil Temperature: -4° to 176°F (-20° to 80°C)