



The goal of Lenz is to help our Distributors, OEM's and customers succeed by providing the best hydraulic engineered products. Building upon this determination, we've enhanced the Lenz catalogs and our website to feature even more detailed information for ease of specifying and ordering. We at Lenz feel our new catalog and website are easier to navigate, read and understand our products.

We will continue to add new innovative hydraulic products to our product line.

We hope you'll agree we have succeeded in these pursuits.

Lenz

Hydraulics with a Global Reputation



**P.O. Box 1044 Dayton, Ohio 45401-1044
3301 Klepinger Road Dayton, Ohio 45406
PHONE: 937/277-9364 FAX: 937/277-6516 www.lenzinc.com**

LENZ

FILTRATION



Spin On Canister Filters
Tank Mounted Filters
Tank Mounted with Breather
Tank Mounted Strainers
Medium Pressure Filter

Diffusers
Suction Strainers
Disc Strainers
Disc Diffusers
SAE Weld Couplings



SERIES	FILTRATION	SECTION A Page	
SF	Product Overview Photo		
	Product Overview Index		
250/380	Return Line Canister Filter	1a	New Models
500/750/1010	Suction & Return Canister Filter	2a-3a	New Elements
1280	Suction & Return Canister Filter	4a-5a	New Elements
1500/1520	Suction & Return Canister Filter	6a-7a	New Models
DH	Heavy Duty Line Filters	8a-9a	New Elements
LIT	In Tank Filters	10a-11a	New Models
LITB	In Tank Filter w Breather	12a-13a	New Models
49, N49	Sump Strainers	14a	New Models
LTM, LTMA	Tank Mount Strainers	15a	
LTMAB	Tank Mount Strainers	16a	New Models
LW-BA	SAE Half Coupling	16a	New Models
LTF	Threaded Tank Mount Strainer	17a	New Model
AN-WB	SAE-NPT Threaded Coupling	17a	New Models
LTMD	Tank Mount Diffusers	18a	
LDFD	Diffusers	18a	New Models
L-G	Disc Sump Strainer	19a	
ML-G	Magnetic Sump Strainer	20a	
MD	Magnetic Disc Strainer	20a	
R	Return Line Sump Disc Diffusers	21a	
	Fliter Mesh Cart	22a	





Canister Filter

Return Line Applications

CP-250/380, CPA-380

Specifications

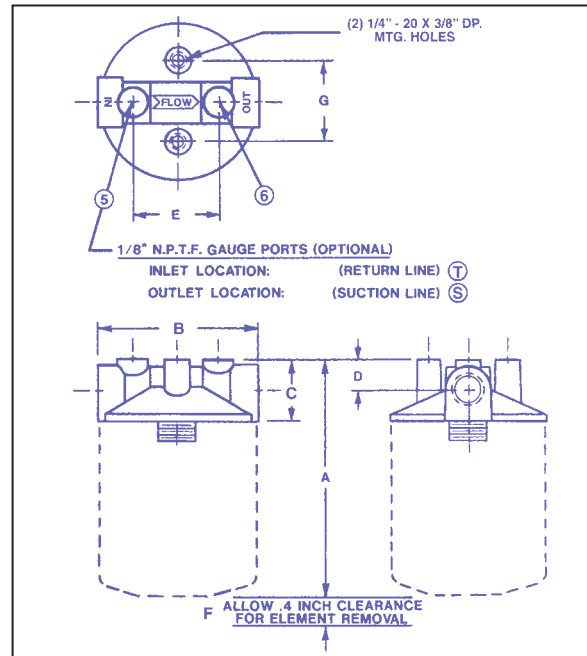
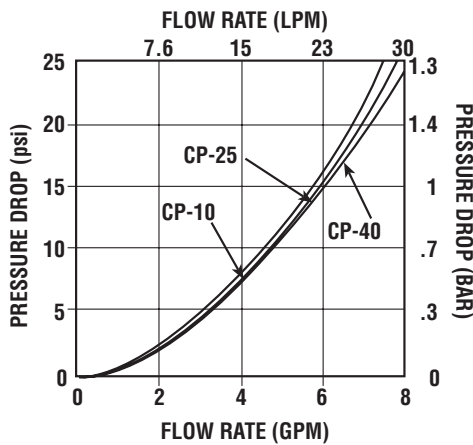
- Working pressure 200 PSI (14 Bar)
- Operating Temperatures -25° F to +212° F (-32° C to +100° C)
- Flows to 7 GPM (26 LPM) Return
- Flows to 2 GPM (7 LPM) Suction
- Die Cast Aluminum casting
- Buna Seals
- For use with petroleum based fluids
- Maximum pressure differential 80 PSI (5 Bar)
- By pass in filter elements
- .90 lbs shipping weight

Options

- NPT or SAE ports
- Indicator ports
- 10, 25, 40 micron elements
- 0, 18, 25 PSI Bypass options



CP-250
CP-380
CPA-380

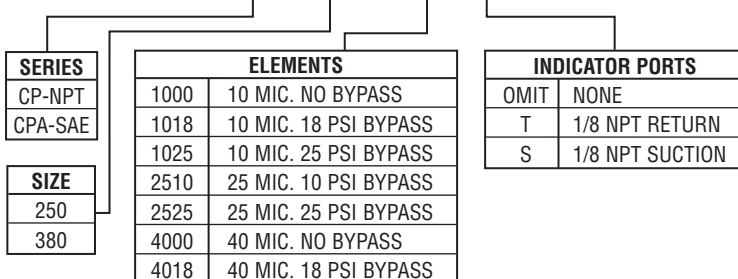


Dimensional Detail

MODEL	PORT		A	B	C	D	E	F	G
CP-250	1/4" NPT	IN	4.5	3.1	1.13	0.6	1.60	0.4	1.5
		MM	114.3	78.7	28.7	14.2	41.7	10.2	38.1
CP-380	3/8" NPT	IN	4.5	3.1	1.13	0.6	1.60	0.4	1.5
		MM	114.3	78.7	28.7	14.2	39.1	10.2	38.1
CPA-380	9/16"-18 SAE	IN	4.5	3.1	1.13	0.6	1.60	0.4	1.5
		MM	114.3	78.9	28.7	14.2	39.1	10.2	38.1

Ordering Code

CPA - 380 - 1000 - *



For Indicators See Page 3a

Filter Elements

PART NUMBER	MICRON RATING	BYPASS	AVG BETA	AREA IN ²	AREA CM ²	ELEMENT THREAD
CP-1000	10	NONE	2	126	818	3/4-16 UNF
CP-1018	10	18	2	113	733	3/4-16 UNF
CP-1025	10	25	2	113	733	3/4-16 UNF
CP-2510	25	18	2	129	838	3/4-16 UNF
CP-2525	25	25	2	129	838	3/4-16 UNF
CP-4000	40	NONE	2	126	838	3/4-16 UNF
CP-4018	40	18	2	126	818	3/4-16 UNF





Canister Filters/Disposable Type

Suction or Return Line Application
Model Series-CP (N.P.T. & S.A.E. Ports)

CP-500, 750, 1000, 1010, 1030

Specifications

- Working pressure 200 PSI (14 Bar)
- Operating Temperatures -22° F to +212° F (-32 C to +100 C)
- Flows to 25 GPM (96 LPM) Return
- Flows to 5 GPM (19 LPM) Suction
- 1/2", 3/4", 1" Ports
- Aluminum Casting — Die Cast
- Buna Seals
- For use with petroleum based, high water water glycols and water/oil emulsions fluids
- Element post threads 1"-12 UNF, 1 1/8"-16 UNF
- 2-3 (lbs.), .9-1.4 (kgs.) shipping weight

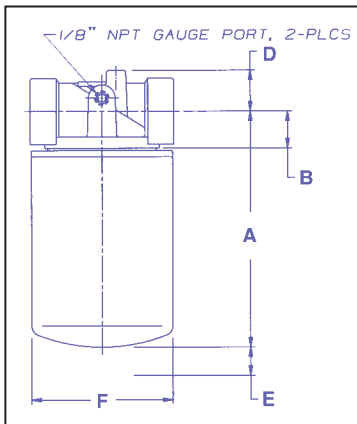
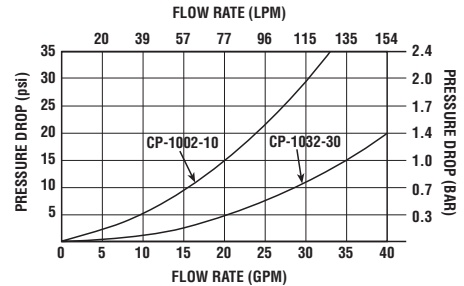
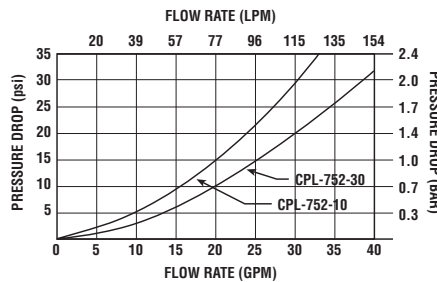
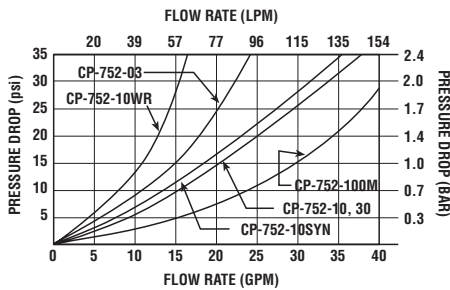
Options

- NPT or SAE Ports (CP-500, 750, 1010)
- 3, 10, 25, micron cellulose, synthetic elements
- Water absorbing elements
- 100 wire mesh element
- Visual indicators
- 2.5, 5, 15, 25, blocked bypass options for suction or return



CP-500, CP-750,
CP-1000/CP-1010 Series

CP-1030 Series

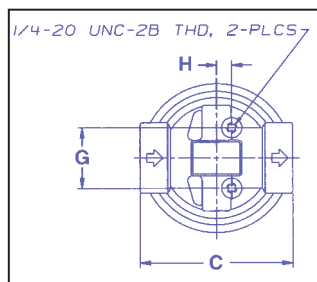


Model	PORT		A	B	C	D	E	F	G	H	I
CP-500	1/2"	IN	6.2	1	3.8	1.1	0.8	3.7	1.5	0.4	1/4-20 UNC-2B
		MM	157	25	97	28	20	94	38	10	
CPL-500	1/2"	IN	9.6	1	3.8	1.1	0.8	3.7	1.5	0.4	1/4-20 UNC-2B
		MM	244	25	97	28	20	94	38	10	
CP-750	3/4"	IN	6.2	1	3.8	1.1	0.8	3.7	1.5	0.4	1/4-20 UNC-2B
		MM	157	25	97	28	20	94	38	10	
CPL-750	3/4"	IN	9.6	1	3.8	1.1	0.8	3.7	1.5	0.4	1/4-20 UNC-2B
		MM	244	25	97	28	20	94	38	10	
CP-1010	1"	IN	6.2	1	3.8	1.1	0.8	3.7	1.5	0.4	1/4-20 UNC-2B
		MM	157	25	97	28	20	94	38	10	
CPL-1010	1"	IN	9.6	1	3.8	1.1	0.8	3.7	1.5	0.4	1/4-20 UNC-2B
		MM	244	25	97	28	20	94	38	10	
CP-1000	1"	IN	6.4	1	3.8	0.9	0.8	3.8	1.5	.4	3/8-16 UNC-2B
		MM	163	25	97	23	20	97	38	10	
CP-1030	1"	IN	11.4	1	3.8	0.9	0.8	4.3	1.5	.4	3/8-16 UNC-2B
		MM	290	25	97	23	20	109	38	10	

**Head casting has two mounting posts with threads.

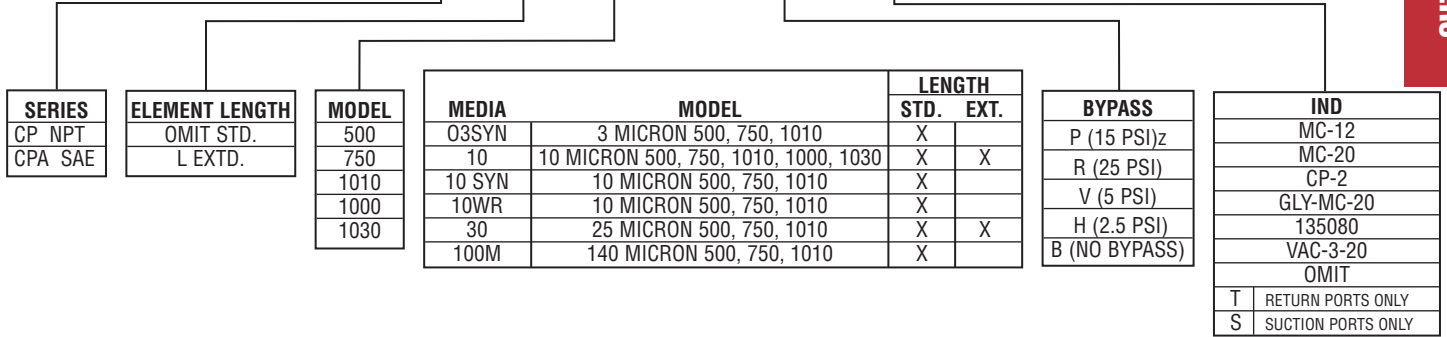
On CP-500, CP-750 & CP-1010:
1/4"-20 thread 1 1/2" apart.

On CP-1000 & CP-1030:
3/8"-16 thread 1 7/8" apart.



Ordering Code

CP — L — 750 — 10 — P — MC-12



Replacement Elements

MODEL NUMBER	MEDIA TYPE	IN ²	CM ²	ELEMENT THREAD	RATING B(X)=2/20/75
CP-752-10	10 Cellulose	550	3532	3/4-16 UNF	9u/20u/23u
CPL-752-10	10 Cellulose	720	4624	3/4-16 UNF	18u/42u/55u
CP-752-30	25 Cellulose	550	3532	3/4-16 UNF	8u/33u/53u
CPL-752-30	25 Cellulose	720	4624	3/4-16 UNF	24u/35u/43u
CP-752-03	3 Synthetic	390	2505	3/4-16 UNF	4u/8u/11u
CP-752-10SYN	10 Synthetic	370	2376	3/4-16 UNF	9u/20u/23u
CP-752-10WR	10 Water Removal	550	3532	3/4-16 UNF	8u/33u/53u
CP-752-100M	100 SS Wire Mesh	90	578	3/4-16 UNF	140u
CP-1002-10	10 Cellulose	453	2922	1 1/8-16 UNF	9u/20u/23u
CP-1032-10	10 Cellulose	1672	10787	1 1/8-16 UNF	8u/33u/53u

2" Diameter Indicating Gauges



MC-12

Return Line Indicating Gauge for 15 PSI Filter Applications
2" Multicolor
0-12 PSI Green
12-15 PSI Yellow
15-60 PSI Red (Service Filter)



MC-20

Return Line Indicating Gauge for 25 PSI Filter Applications
2" Multicolor
0-20 PSI Green
21-24 PSI Yellow
25-60 PSI Red (Service Filter)



CP-2

Compound Indicating Gauge (Suction or Return Line)
10" to 30" Vacuum is a Red Danger Area.
A Red "Change Filter" Sticker for the Pressure side is included with each gauge for application after the pressure factor is determined.



GLY-MC-20

Glycerin Filled

Return Line Indicating Gauge for 25 PSI Filter Applications
2" Multicolor
0-20 PSI Green
21-24 PSI Yellow
25-60 PSI Red (Service Filter)



135080

Suction Line Indicating Gauge for 5 psi vacuum filter application
2" Multicolor
0-9" HG Green
9-11" HG Yellow
11-30" HG Red (Service Filter)



VAC-3-20

Suction Line Indicating Gauge for 3 PSI vacuum filter applications
2" Multicolor
0-3" HG Green
4-6" HG Yellow
6-30" HG Red (Service Filter)



Canister Filters/Disposable Type

Suction or Return Line Application
Model Series-CP (N.P.T. & S.A.E. Ports)

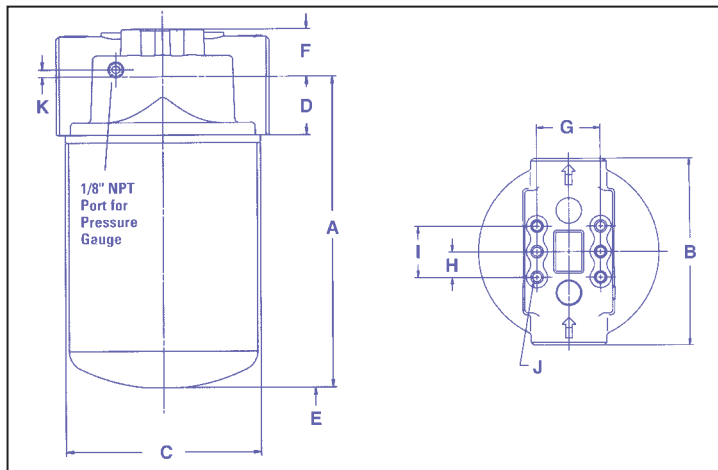
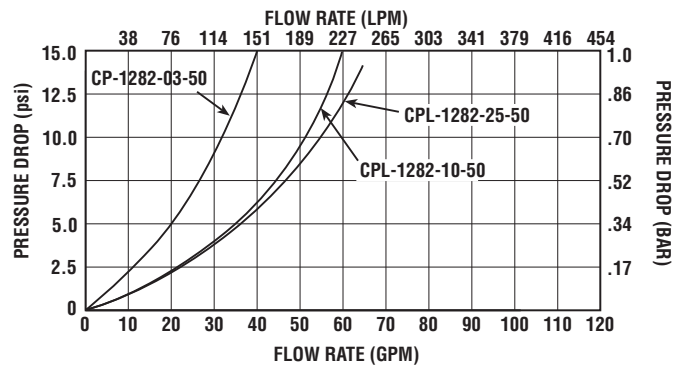
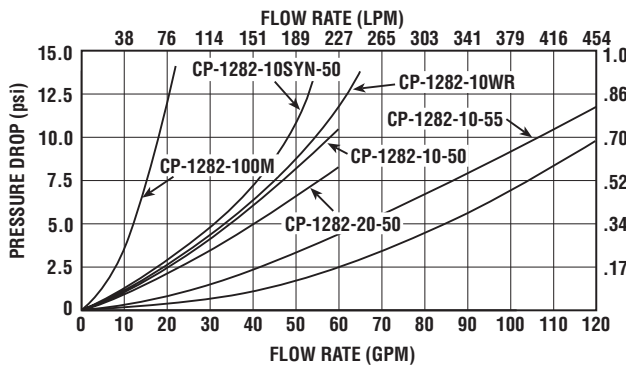
CP-1280, 1250

Specifications

- Working pressure 150 PSI (10 Bar)
- Operating Temperatures -22° F to +212° F (-32° C to +100° C)
- Flows to 60 GPM (230 LPM) Return
- Flows to 15 GPM (58 LPM) Suction
- 1 1/4" NPT, 1 5/8"-12 SAE Ports
- Element post threads 1 1/2"-16 UNF or 1 1/4" BSP
- Aluminum casting
- Buna Seals
- For use with petroleum based, high water water glycols and water/oil emulsions fluids
- 4-6 (lbs), 2.1-2.6 (kgs) shipping weight

Options

- NPT or SAE Ports
- 3, 10, 25, micron cellulose, synthetic elements
- Water absorbing elements
- 100 wire mesh element
- Visual or electrical indicators
- 2.5, 5, 15, 25, blocked bypass options for return or suction



**Head casting has six (6) Mounting Posts with 5/16"-18 threads.

DIMENSIONAL DETAIL

MODEL	PORT		A	B	C	D	E	F	G	H	I	J	K
CP-1250	1 1/4"	IN	8.1	5.5	5	1.5	1.2	1.2	1.9	0.8	1.5	5/16-18 UNC-2B	0.2
		MM	206	140	127	38	30	30	48	20	38		5
CP-1280	1 1/4"	IN	8.1	5.5	5	1.5	1.2	1.2	1.9	0.8	1.5	5/16-18 UNC-2B	0.2
		MM	206	140	127	38	30	30	48	20	38		5
CPL-1280	1 1/4"	IN	12.2	5.5	5	1.5	1.2	1.2	1.9	0.8	1.5	5/16-18 UNC-2B	0.2
		MM	310	140	127	38	30	30	48	20	38		5



Ordering Code

CP — L — 1280 — 10 — R — MC-20

SERIES	ELEMENT LENGTH	MODEL	MEDIA	MODEL	THREAD	LENGTH		BYPASS	IND
CP NPT	OMIT STD.	1280	3	3 MICRON 1280	50	STD.	EXT.	P (15 PSI)	MC-12
CPA SAE	L EXTD.	1250	10	10 MICRON 1280, 1250	50 OR 55	X	X	R (25 PSI)	MC-20
			10 SYN	10 MICRON 1280	50	X		V (5 PSI)	CP-2
			10 WR	10 MICRON 1280	50	X		H (2.5 PSI)	GLY-MC-20
			25	25 MICRON 1280	50	X	X	B (NO BYPASS)	135080
			100M	140 MICRON 1280	50	X			VAC-3-20
									OMIT
									T RETURN PORTS ONLY
									S SUCTION PORTS ONLY

* 1250 Only standard length

Replacement Elements

MODEL NUMBER	MEDIA TYPE	IN	CM	ELEMENT THREAD	RATING B(X)=2/20/75
CP-1282-03-50	3 Cellulose	700	4496	1 1/2"-16 UNF	1u/5u/9u
CP1282-10-50	10 Cellulose	950	6101	1 1/2"-16 UNF	10u/27u/31u
CPL-1282-10-50	10 Cellulose	1227	7916	1 1/2"-16 UNF	10u/27u/31u
CP-1282-10-55	10 Cellulose	946	6076	1 1/4" BSP	10u/27u/31u
CP1282-25-50	25 Cellulose	950	6101	1 1/2"-16 UNF	10u/25u/32u
CPL-1282-25-50	25 Cellulose	1227	7916	1 1/2"-16 UNF	43u/46u/54u
CP-1282-10SYN-50	10 Synthetic	561	3603	1 1/2"-16 UNF	2u/7u/12u
CP-1282-10WR-50	10 Water Removal	950	6101	1 1/2"-16 UNF	10u/18u
CP-1282-100M-50	100 SS Wire Mesh	200	1285	1 1/2"-16 UNF	140u

2" Diameter Indicating Gauges



MC-12

Return Line Indicating Gauge for 15 PSI Filter Applications
2" Multicolor

0-12 PSI Green
12-15 PSI Yellow
15-60 PSI Red (Service Filter)



MC-20

Return Line Indicating Gauge for 25 PSI Filter Applications
2" Multicolor

0-20 PSI Green
21-24 PSI Yellow
25-60 PSI Red (Service Filter)



CP-2

Compound Indicating Gauge (Suction or Return Line)

10" to 30" Vacuum is a Red Danger Area. A Red "Change Filter" Sticker for the Pressure side is included with each gauge for application after the pressure factor is determined.

CHANGE FILTER



GLY-MC-20 Glycerin Filled

Return Line Indicating Gauge for 25 PSI Filter Applications
2" Multicolor

0-20 PSI Green
21-24 PSI Yellow
25-60 PSI Red (Service Filter)



135080

Suction Line Indicating Gauge for 5 psi vacuum filter application
2" Multicolor

0-9" HG Green
9-11" HG Yellow
11-30" HG Red (Service Filter)



VAC-3-20

Suction Line Indicating Gauge for 3 PSI vacuum filter applications
2" Multicolor

0-3" HG Green
4-6" HG Yellow
6-30" HG Red (Service Filter)



Canister Filters/Disposable Type

Suction or Return Line Application
Model Series-CP (N.P.T. & S.A.E. Ports)

CP-1500, 1520

Specifications

- Working pressure 150 PSI (10 Bar)
- Operating Temperatures -22° F to +212° F (-32° C to +100° C)
- Flows to 120 GPM (480 LPM) Return
- Flows to 35 GPM (140 LPM) Suction
- Aluminum casting
- Buna Seals
- For use with petroleum based, high water water glycols and water/oil emulsions fluids
- Element post threads 1 1/2"-16 UNF or 1 1/4" BSP
- 9-11 (lbs), 4-5 (kgs) shipping weight

Options

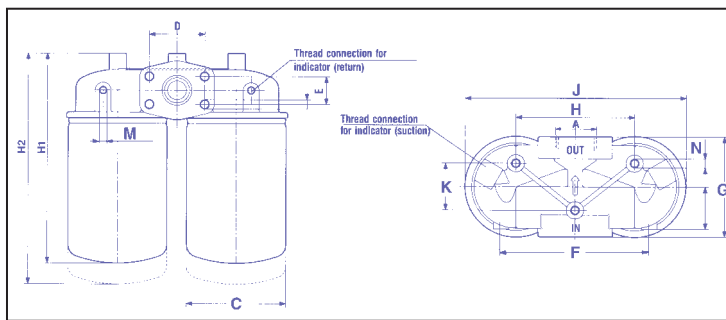
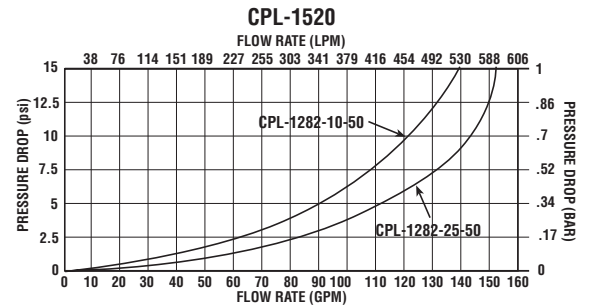
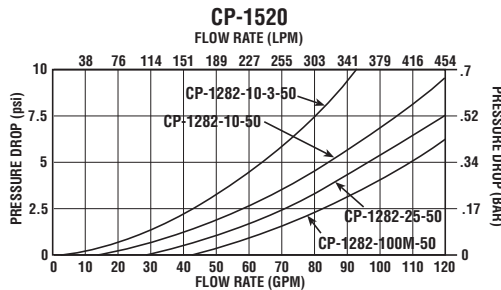
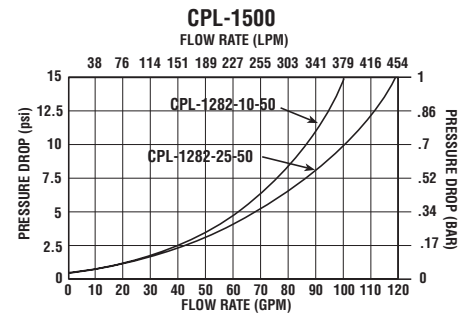
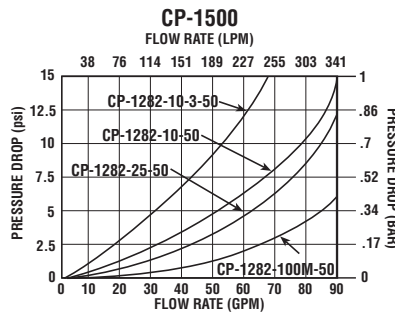
- NPT or SAE Ports
- 3, 10, 25, 100 micron cellulose, synthetic elements
- Water absorbing elements
- Visual or electrical indicators
- 2.5, 5, 15, 25, blocked bypass options for suction or return
- 100 wire mesh elements



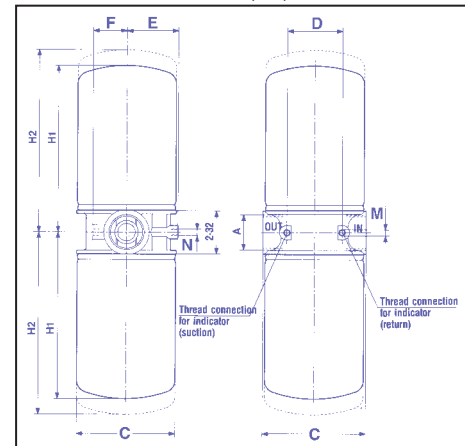
CP-1500 Series



CP-1520 Series



CP-1500 Series



CP-1520 Series

Dimensional Detail

SERIES	PORT		H1	H2	C	D	E	F	G	H	J	K	M	N
CP-1500	1 1/2" NPT	IN	10.5	—	5	2.8	1.4	7.3	2.1	5.9	11.1	2.4	1/8 NPT	3/8-UNC
		MM	267	—	127	71	36	185	53	267	282	61		
CP-1500L	1 1/2" NPT	IN	—	11.4	5	2.8	1.4	7.3	2.1	5.9	11.1	2.4	1/8 NPT	3/8-UNC
		MM	—	289.56	127	71	36	185	53	267	282	61		
CP-1520	1 1/2" NPT	IN	8.5	—	5	3	2.8	1.8	—	—	—	—	1/8 NPT	3/8-UNC
	1 7/8" SAE	MM	216	—	127	76	216	46	—	—	—	—		
CP-1520L	1 1/2" NPT	IN	—	10.3	5	3	2.8	1.8	—	—	—	—	1/8 NPT	3/8-UNC
	1 7/8" SAE	MM	—	262	127	76	216	46	—	—	—	—		



Ordering Code

CP — 1500 — 10 — R — MC-20

SERIES CP NPT CPA SAE	ELEMENT LENGTH OMIT STD. L EXTD.	MODEL 1500 1520	MEDIA O3 10 10SYN 10WR 25 100M	MODEL 3 MICRON 1500,1520 10 MICRON 1500,1520 10 MICRON 1500,1520 10 MICRON 1500,1520 25 MICRON 1500,1520 140 MICRON 1500,1520	POST THREAD 50 50 OR 55 50 50 50 50	LENGTH STD EXT X X X X X X X		BYPASS P (15 PSI) R (25 PSI) V (5 PSI) H (2.5 PSI) B (NO BYPASS)	IND MC-12 MC-20 CP-2 GLY-MC-20 135080 VAC-3-20 OMIT T RETURN PORTS ONLY S SUCTION PORTS ONLY
------------------------------------	---	------------------------------	---	--	--	---	--	--	--

Replacement Elements

PART NUMBER	MEDIA TYPE	IN ² AREA	CM ² AREA	ELEMENT THREAD	RATING B(X)=2/20/75
CP-1282-03-50	3 Cellulose	700	4496	1 1/2"-16 UNF	1u/5u/9u
CP1282-10-50	10 Cellulose	950	6101	1 1/2"-16 UNF	10u/27u/31u
CPL-1282-10-50	10 Cellulose	1227	7916	1 1/2"-16 UNF	10u/27u/31u
CP-1282-10-55	10 Cellulose	946	6076	1 1/4" BSP	10u/27u/31u
CP1282-25-50	25 Cellulose	950	6101	1 1/2"-16 UNF	10u/25u/32u
CPL-1282-25-50	25 Cellulose	1227	7916	1 1/2"-16 UNF	43u/46u/54u
CP-1282-10SYN-50	10 Synthetic	561	3603	1 1/2"-16 UNF	2u/7u/12u
CP-1282-10WR-50	10 Water Removal	950	6101	1 1/2"-16 UNF	10u/18u
CP-1282-100M-50	100 SS Wire Mesh	200	1285	1 1/2"-16 UNF	140u

2" Diameter Indicating Gauges



MC-12

Return Line Indicating Gauge for 15 PSI Filter Applications
2" Multicolor

0-12 PSI Green
12-15 PSI Yellow
15-60 PSI Red (Service Filter)



MC-20

Return Line Indicating Gauge for 25 PSI Filter Applications
2" Multicolor

0-20 PSI Green
21-24 PSI Yellow
25-60 PSI Red (Service Filter)



CP-2

Compound Indicating Gauge (Suction or Return Line)

10" to 30" Vacuum is a Red Danger Area. A Red "Change Filter" Sticker for the Pressure side is included with each gauge for application after the pressure factor is determined.



GLY-MC-20

Glycerin Filled

Return Line Indicating Gauge for 25 PSI Filter Applications
2" Multicolor

0-20 PSI Green
21-24 PSI Yellow
25-60 PSI Red (Service Filter)



135080

Suction Line Indicating Gauge for 5 psi vacuum filter application
2" Multicolor

0-9" HG Green
9-11" HG Yellow
11-30" HG Red (Service Filter)



VAC-3-20

Suction Line Indicating Gauge for 3 PSI vacuum filter applications
2" Multicolor

0-3" HG Green
4-6" HG Yellow
6-30" HG Red (Service Filter)



Medium Pressure In Line Filters Disposable-Filter Cartridge Type

Suction or Return Line Application
Model DH & DHA (N.P.T. & S.A.E. Ports)

Specifications

- Working pressure 350 PSI (24 Bar)
- Operating Temperatures -22° F to +212° F (-32° C to +100° C)
- Flows to 75 GPM (280 LPM) Return
- 3/4", 1", 1 1/4", 1 1/2" Ports
- Cellulose and wire mesh elements
- Aluminum casting
- Buna Seals
- For use with petroleum based, high water water glycols and water/oil emulsions fluids
- Aluminum bowl with drain plug
- 2.5 (lbs) 1.1 (kg), 5.5lbs, (2.5 kgs) shipping weight

Options

- NPT or SAE Ports
- 10, 30, micron cellulose, synthetic elements
- 60, 100, 200 Wire Mesh
- Visual indicators
- 5, 15, 25, blocked bypass options for return or suction
- Optional Viton, EPR seals

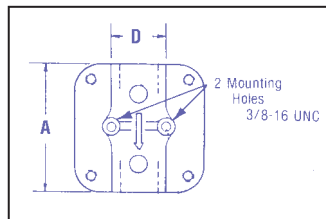
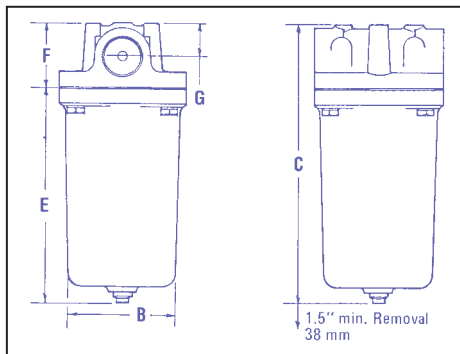
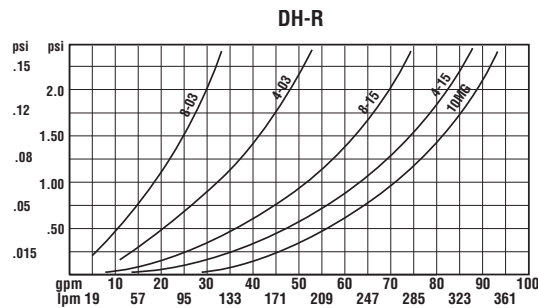
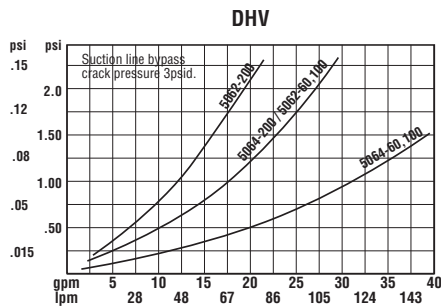


Gauge in position for suction line use.

DH-V

Gauge in position for return line use.

DH-R



Dimensional Detail

MODEL		NPT	SAE	A	B	C	D	E	F	G	WEIGHT
DH-750	IN	3/4"	1 1/16"-12	4.5	3.3	7.4	1.9	5.5	1.9	0.9	2.5 LBS
	MM			114	84	188	48	140	48	23	1.1 KG
DH-1000	IN	1"	1 5/16"-12	4.5	3.3	7.4	1.9	5.5	1.9	0.9	2.5 LBS
	MM			114	84	188	48	140	48	23	1.1KG
DH-1200	IN	1"	1 5/16"-12	5.1	4.7	11.5	2.4	9.1	2.4	1.2	5.5 LBS
	MM			130	119	292	61	231	61	30	2.5 KG
DH-1250	IN	1 1/4"	1 5/8"-12	5.1	4.7	11.5	2.4	9.1	2.4	1.2	5.5 LBS
	MM			130	119	292	61	231	61	30	2.5KG
DH-1500	IN	1 1/2"	1 7/8"-12	5.1	4.7	11.5	2.4	9.1	2.4	1.2	5.5 LBS
	MM			130	119	292	61	231	61	30	2.5KG



Ordering Code

DH - 750 - 800 - PR - CP-2

SERIES	PORT		MEDIA		BYPASS		IND	
DH NPT	750	3/4"	800	10 MICRON	RR	RETURN 25 PSI	MC-12	
DHA SAE	1000	1"	400	30 MICRON	PR	RETURN 15 PSI	MC-20	
	1200	1"	*300	10 MICRON GLASS	VR	SUCTION 5 PSI	CP-2	
	1250	1 1/4"	60	60 MESH	OMIT No Bypass		GLY-MC-20	
	1500	1 1/2"	100	100 MESH			135080	
			200	200 MESH			VAC-3-20	
			700	700 MESH			OMIT	
							T	RETURN PORTS ONLY
							S	SUCTION PORTS ONLY

* Only Available in DH-1200, 1250, 1500

Replacement Elements

MEDIA TYPE	SERIES	MEDIA	IN ²	CM ²	RATING B(X)=2/20/75
8-03	DH 750,1000	10 MICRON CELLULOSE	342	2206	10u/25u/32u
4-03	DH 750,1000	30 MICRON CELLULOSE	342	2206	43u/46u/54u
8-15	DH1000-1500	10 MICRON CELLULOSE	1122	7237	10u/25u/32u
8-10MG	DH1200-DH1500	10 MICRON SYNTHETIC	660	4528	3u/10u/12u
4-15	DH1000-1500	30 MICRON CELLULOSE	1122	7237	43u/46u/54u
5062-200	DH750,1000	200 S.S. WIRE MESH	120	774	74u
5062-100	DH750,1000	100 S.S. WIRE MESH	120	774	140u
5062-700	DH750,1000	700S.S. WIRE MESH	120	774	10u
5062-60	DH750,1000	60,S.S. WIRE MESH	120	774	262u
5064-200	DH1000-1500	200S.S. WIRE MESH	325	2096	74u
5064-60	DH1000-1500	60,S.S. WIRE MESH	3025	2096	262u
5064-100	DH1000-1500	100 S.S. WIRE MESH	325	2096	144u
5064-700	DH1000-1500	700 S.S. WIRE MESH	325	2096	10u

2" Diameter Indicating Gauges



MC-12

Return Line Indicating Gauge for 15 PSI Filter Applications
2" Multicolor
0-12 PSI Green
12-15 PSI Yellow
15-60 PSI Red (Service Filter)



MC-20

Return Line Indicating Gauge for 25 PSI Filter Applications
2" Multicolor
0-20 PSI Green
21-24 PSI Yellow
25-60 PSI Red (Service Filter)



CP-2

Compound Indicating Gauge (Suction or Return Line)
10" to 30" Vacuum is a Red Danger Area.
A Red "Change Filter" Sticker for the Pressure side is included with each gauge for application after the pressure factor is determined.



GLY-MC-20

Glycerin Filled
Return Line Indicating Gauge for 25 PSI Filter Applications
2" Multicolor
0-20 PSI Green
21-24 PSI Yellow
25-60 PSI Red (Service Filter)



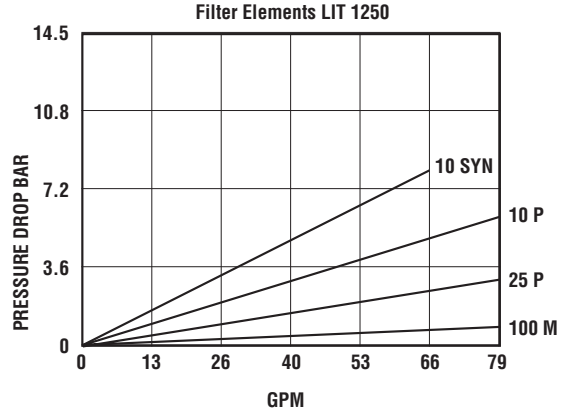
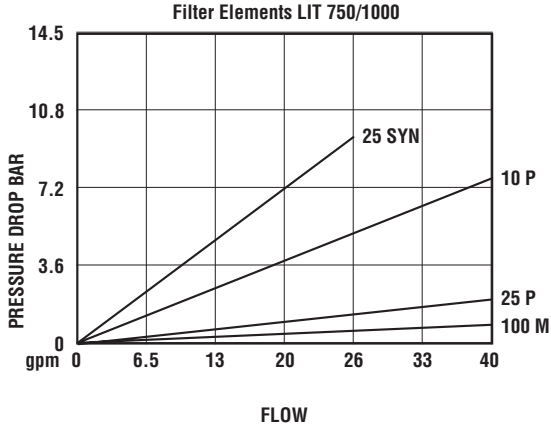
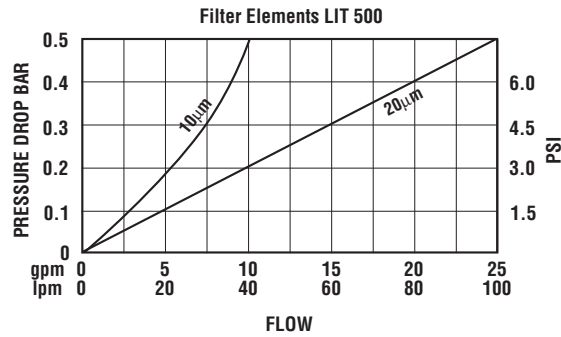
135080

Suction Line Indicating Gauge for 5 psi vacuum filter application
2" Multicolor
0-9" HG Green
9-11" HG Yellow
11-30" HG Red (Service Filter)



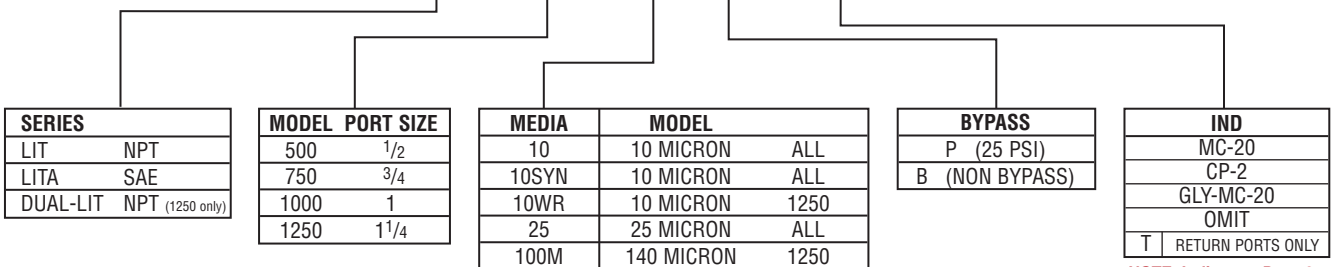
VAC-3-20

Suction Line Indicating Gauge for 3 PSI vacuum filter applications
2" Multicolor
0-3" HG Green
4-6" HG Yellow
6-30" HG Red (Service Filter)



Ordering Code

LIT — 1250 — 10 — P — MC-20



NOTE: Indicators Page 9a

Replacement Elements

MODEL NUMBER	MEDIA	IN ²	CM ²	B(x)=2/20/75
LIT-502-10P	10 Micron Cellulose	258	1657	6u/8u/13u
LIT-502-25P	25 Micron Cellulose	258	1657	24u/35u/43u
LIT-502-10SYN	10 micron Synthetic	155	996	3u/5.5u/12u
LIT-752-10P	10 Micron Cellulose	294	1888	6u/8u/13u
LIT-752-25P	25 Micron Cellulose	294	1888	24u/35u/43u
LIT-752-10SYN	10 Micron Synthetic	268	1721	3u/5.5u/12u
LIT-1002-10P	10 micron Cellulose	294	1888	6u/8u/13u
LIT-1002-25P	25 Micron Cellulose	294	1888	24u/35u/43u
LIT-1002-10SYN	10 micron Synthetic	268	1721	3u/5.5u/12u
LIT-1252-10P	10 Micron Cellulose	620	3982	6u/8u/13u
LIT-1252-25P	25 Micron Cellulose	620	3982	24u/35u/43u
LIT-1252-10SYN	10 Micron Synthetic	666	4277	3u/5.5u/12u
LIT-1252-10WR	10 Micron Water Removal	452	2916	10u/18u
LIT-1252-100M	140 Micron Wire Mesh	310	1991	140u



LITB In-Tank Filter / Breather

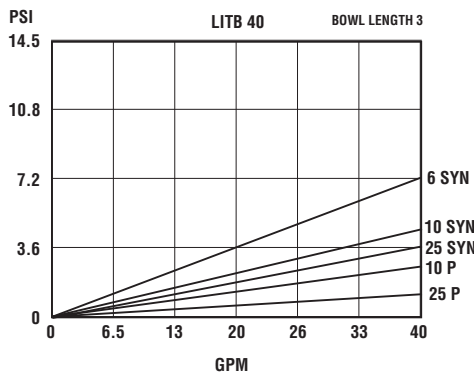
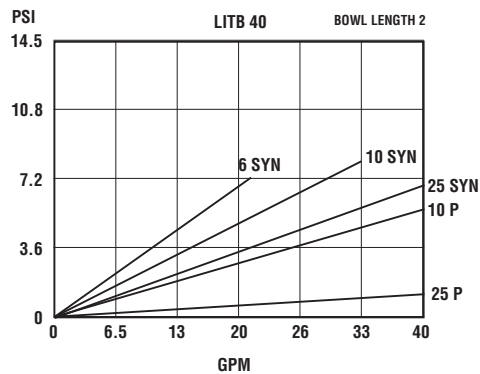
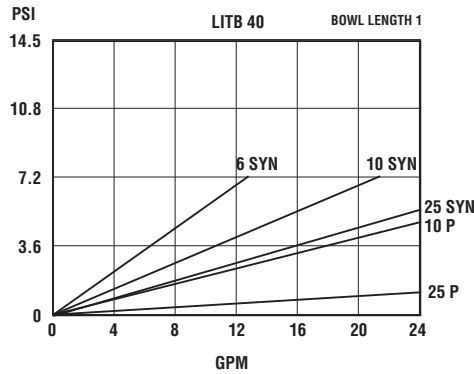
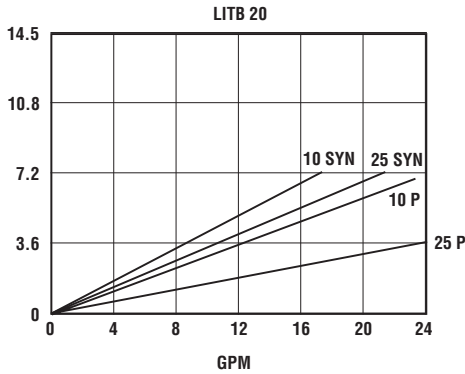
LITB-20, 40

Specifications

- Working pressure 150 PSI (7 Bar)
- Operating Temperatures -22° F to +212° F (-32° C to +100° C)
- Flows to 40 GPM (150 LPM) Return
- 1/2", 3/4", 1" Ports
- 10 or 40 micron breathers
- Aluminum casting, nylon lid
- Buna Seals
- For use with petroleum based, high water water glycols and water/oil emulsions fluids
- Three nylon bowl lengths
- 3-10 (lbs.) , 1.4-4.5 (kgs.) shipping weight

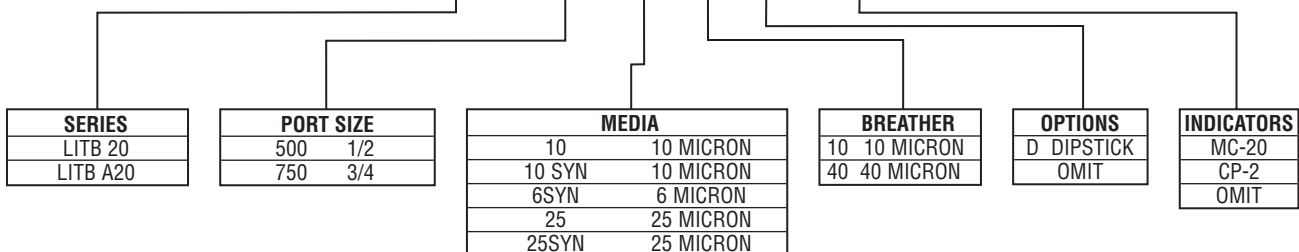
Options

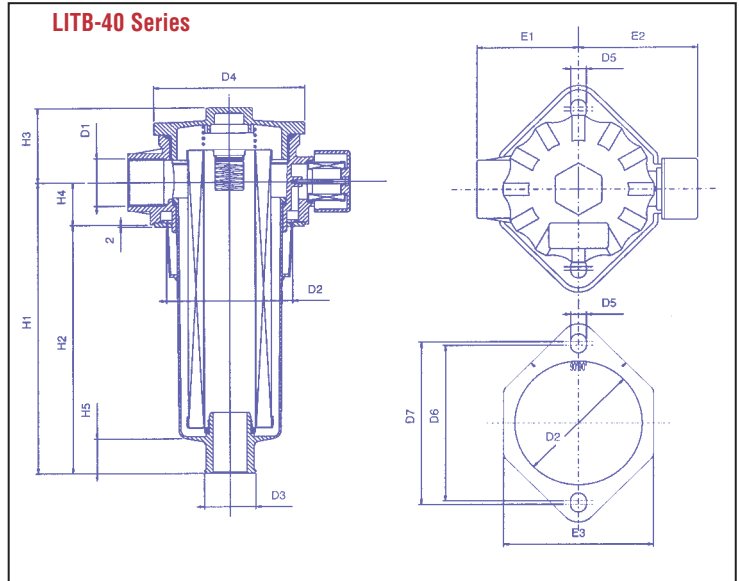
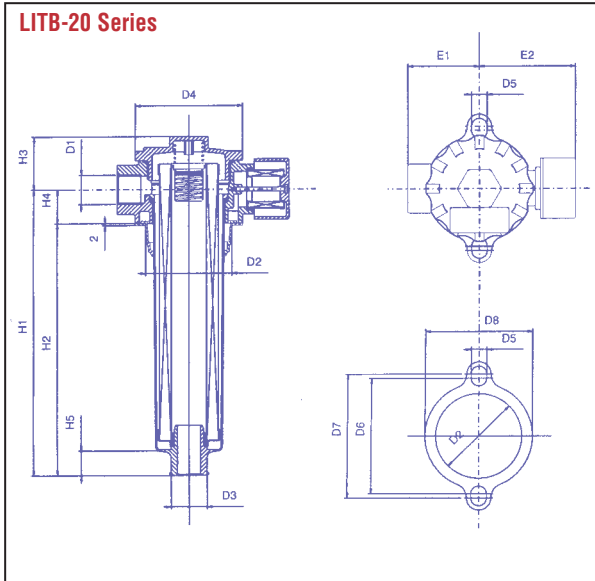
- NPT or SAE Ports
- 3, 10, 25, 100 micron cellulose, synthetic elements
- Viton seals optional
- Visual or electrical indicators
- 25, blocked bypass options for return
- Dipsticks available



Ordering Code

LITB 20 - 500 - 10 - 40 - D - MC-20



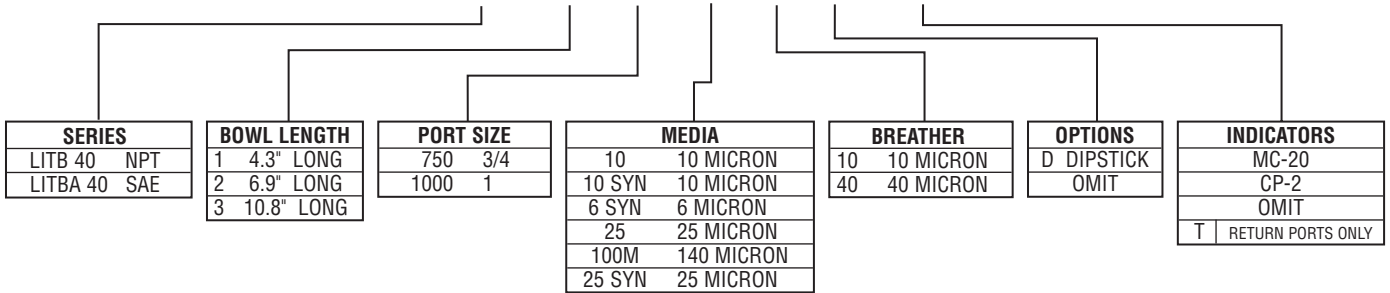


Dimensions

MODEL NUMBER	D1		D2	D3	D4	D5	D6	D7	D8	H1	H2	H3	H4	H5	E1	E2	E3	WEIGHT LB/KG
LITB 20	1/2, 3/4	IN	2.3-2.5	1.1	3	0.4	3.2	3.5	3	8	7	1.6	0.9	0.6	2	2.8		0.85
		MM	60-63	28	75	11	82	88	77	202	178	41	24	16	50	70		0.4
LITB 40	3/4, 1	IN	3.4-3.6	1.4	4.1	0.4	4.3	4.5		5.5	4.3	2.4	1.2	0.9	2.8	3.3	4.1	4.5
		MM	87-91	36	104	11	110	115		140	110	60	30	22	70	83	103	2
LITB 40	3/4, 1	IN	3.4-3.6	1.4	4.1	0.4	4.3	4.5		8.1	6.9	2.4	1.2	0.9	2.8	3.3	4.1	4.5
		MM	87-91	36	104	11	110	115		205	175	60	30	22	70	83	103	2
LITB 40	3/4, 1	IN	3.4-3.6	1.4	4.1	0.4	4.3	4.5		12	10.8	2.4	1.2	0.9	2.8	3.3	4.1	4.5
		MM	87-91	36	104	11	110	115		305	275	60	30	22	70	83	103	2

Ordering Code

LITB 40 - 1 - 750 - 10 - 40 - D - MC-20



Replacement Elements

ELEMENT	AREA MEDIA	AREA IN	CM	BETA	RATIO
LITE401-10	10 MICRON	146	940	B10	2
LITE401-10SYN	10 MICRON	104	670	B10	75
LITE401-6SYN	6 MICRON	104	670	B6	75
LITE401-25	25 MICRON	146	940	B25	75
LITE401-25SYN	25 MICRON	104	670	B25	2
LITE402-10	10 MICRON	233	1500	B10	2
LITE402-10SYN	10 MICRON	158	1020	B10	75
LITE402-6SYN	6 MICRON	158	1020	B6	75
LITE402-25	25 MICRON	233	1500	B25	75
LITE402-25SYN	25 MICRON	158	1020	B25	2
LITE403-10	10 MICRON	287	1850	B10	2
LITE403-10SYN	10 MICRON	259	1670	B10	75
LITE403-6SYN	6 MICRON	259	1670	B6	75
LITE403-25	25 MICRON	287	1850	B25	75
LITE403-25SYN	25 MICRON	259	1670	B25	2

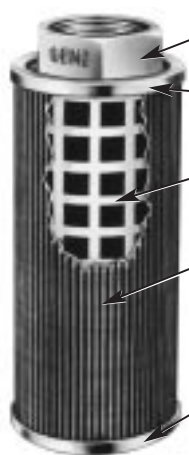
Replacement Elements

ELEMENT	AREA MEDIA	AREA IN	CM	BETA	RATIO
LITE20-10	10 MICRON	135	870	B10	2
LITE20-10SYN	10 MICRON	110	710	B10	75
LITE20-6SYN	6 MICRON	110	710	B6	75
LITE20-25	25 MICRON	110	710	B25	75
LITE20-25SYN	25 MICRON	135	870	B25	2



Sump Strainers

N49 / 49 Series



- Plated Steel Hex or Nylon Hex Pipe Nut Coupling:**
In a full range of NPT sizes, 3/4" thru 3". Welded on.
- Plated Steel End Cap or Nylon:**
Epoxy-bonded for one-piece construction.
- Steel Back-Up Cylinder:**
Provides rigidity, permits easy cleaning and better flow.
- Pleated, Reusable Stainless Wire Cloth:**
Keeps its shape and allows better flow. For use with hydraulic fluids, oils, coolants, cutting oils and lubricants. Excellent for mobile equipment. Easily cleaned. Choice of 30, 60, 100 or 200 mesh. See table.
- Plated Steel Cap End:**
Epoxy-bonded for one-piece construction.
- Trouble-Free Positive Protection:**
All metal, nickel plated construction. No organic elements to deteriorate. These smooth, one-piece, epoxy-bonded units are carefully and compactly constructed with quality materials throughout. They assure trouble-free, positive protection for the entire system. Excellent for mobile equipment.



OPTIONAL
Built-in relief valve to prevent pump starvation / Part No. R3 & R5

3 & 5 PSI relief valve is optional extra.
To specify add to Model No.
Example: 49-50-R3-100

Easily Installed and Cleaned:
Easily removed and cleaned with gasoline and similar solvents.

OPTIONAL:
Nylon hex pipe nut coupling, one piece.

Steel Hex →



Nylon Hex Nut (One Piece) →

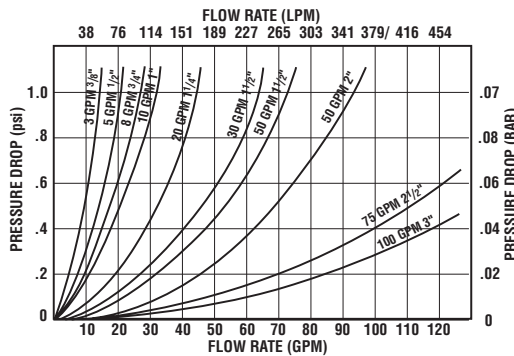


N49-SERIES 49-SERIES

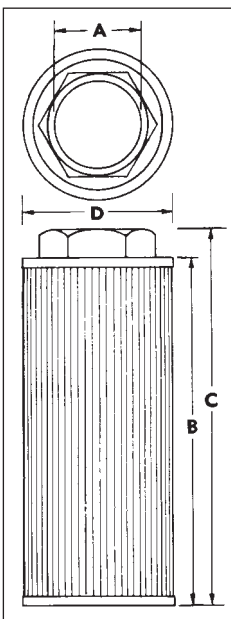
Stainless Wire Cloth • Stock Meshes

MESH CENTER AGE TO CENTER	DIA. OF WIRE (Inches)	WIDTH OF OPENING (Inches)	WIDTH OF OPENING (Microns)	PERCENT OF OPEN AREA
30	.011"	.022"	557	44.8
60	.0065"	.010"	253	37.5
100	.0045"	.0055"	140	30.3
200	.0021"	.0029"	74	33.6

49/N49 Series



Dimensions



PART NYLON	NUMBER STEEL	G.P.M.	A	B	C	D	AREA (CM ²)
N49-3	49-3	3	IN 3/8"	1.2	2.5	1.9	34 (219.3)
N49-4	49-4	5	IN 1/2"	1.9	3.1	2.6	62 (399.9)
N49-5	49-5	8	IN 3/4"	2.9	3.6	2.6	62 (399.9)
N49-10	49-10	10	IN 1"	4.6	5.4	2.6	110 (709.5)
N49-20	49-20	20	IN 1 1/4"	6.1	6.9	3	162 (1044.9)
N49-30	49-30	30	IN 1 1/2"	7.2	8	3.3	225 (1451.3)
N49-50	49-50	50	IN 1 1/2"	9.1	9.9	3.9	340 (2193)
N49-50-2	49-50-2	50	IN 2"	9.1	9.9	3.9	340 (2193)
N49-75	49-75	75	IN 2 1/2"	9.1	10.1	5.1	400 (2580)
N49-100	49-100	100	IN 3"	10.4	11.8	5.1	500 (3225)

TO ORDER OTHER THAN 100 MESH ADD -30, 60, 200
TO SPECIFY BY-PASS OPTION, ADD R3 & R5



Tank Mounted Strainers

LTM Series

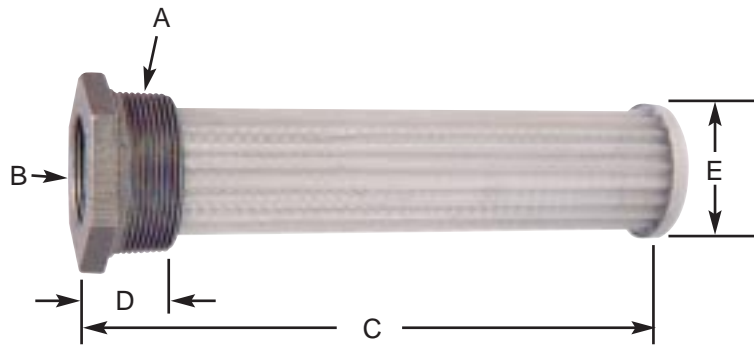
Designed for ease of servicing.
Access to tank interior is not necessary

Specifications:

- Cast iron bushings
- Perforated steel support tubes
- 100 mesh stainless steel pleated screen

Options:

- No by-pass or 3 & 5 PSI by-pass
- Custom screens available on request



Dimensions

PART NUMBER	G.P.M.		NPT A	NPT B	C	D	E	AREA (CM ²)
LTM-3	3	IN MM	3/4"	3/8"	4.0 101	1.0 25	0.9 29	29.0 (185)
LTM-5	5	IN MM	1"	1/2"	5.4 137.2	1.1 27.9	1.2 30.5	35 (225.8)
LTM-10	10	IN MM	1 1/4"	3/4"	8.2 208.3	1.2 30.5	1.4 35.6	64 (412.8)
LTM-15	15	IN MM	1 1/2"	1"	8.2 208.3	1.2 30.5	1.7 43.2	86 (554.7)
LTM-25	25	IN MM	2"	1 1/4"	9 228.6	1.4 35.6	2.1 53.3	125 (806.3)
LTM-50	50	IN MM	3"	2"	9.7 246.4	1.7 43.2	3 76.2	260 (1677.0)
LTM-100	100	IN MM	4"	3"	11.3 287.0	1.8 45.7	4 101.6	315 (2031.8)

TO ORDER OTHER THAN 100 MESH ADD -30, 60, 200
TO SPECIFY BY-PASS OPTION, ADD R3 & R5

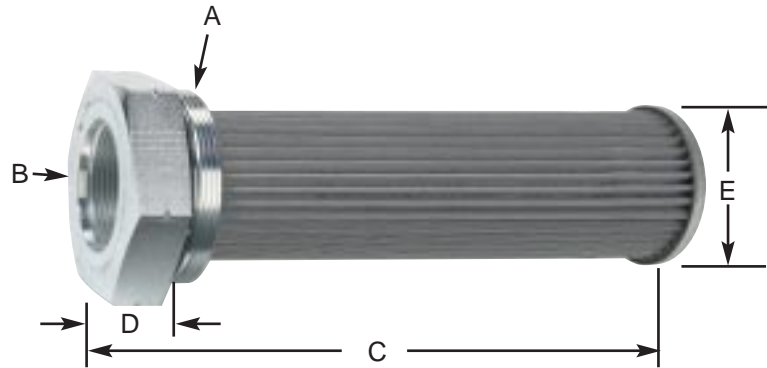
LTMA Series

Specifications:

- S.A.E O-Ring Threads
- Steel Zinc Plated Bushings
- Perforated Steel Support Tubes
- 100 Mesh Stainless Steel Pleated Screen

Options:

- No by-pass or 3 & 5 PSI by-pass
- 30, 60, 200 mesh screens available on request

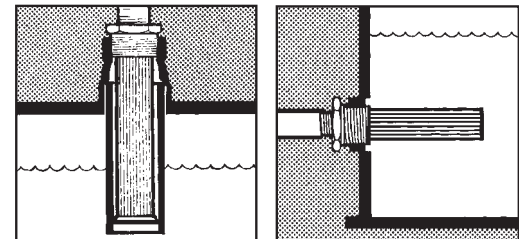


Dimensions

PART NUMBER	G.P.M.		SAE A	SAE B	C	D	E	AREA (CM ²)
LTMA-5	5	IN MM	1 5/16"-12	3/4"-16	5.4 137.2	1.1 27.9	1.2 30.5	35 (225.8)
LTMA-10	10	IN MM	1 5/8"-12	1 1/16"-12	8.2 208.3	1.2 30.5	1.4 35.6	64 (412.8)
LTMA-15	15	IN MM	1 7/8"-12	1 5/16"-12	8.2 208.3	1.2 30.5	1.7 43.2	86 (554.7)
LTMA-25	25	IN MM	2 1/2"-12	1 5/8"-12	9 228.6	1.4 35.6	2.1 53.3	125 (806.3)

TO ORDER OTHER THAN 100 MESH ADD -30, 60, 200
TO SPECIFY BY-PASS OPTION, ADD R3 & R5

*See Page 16a for LWBA Series Weld Bushings



Mounting Details:

Mount through sidewall or through tank top and into standpipe.



Tank Mounted Strainers

LTMAB Series

Designed for ease of servicing.
Access to tank interior is not necessary

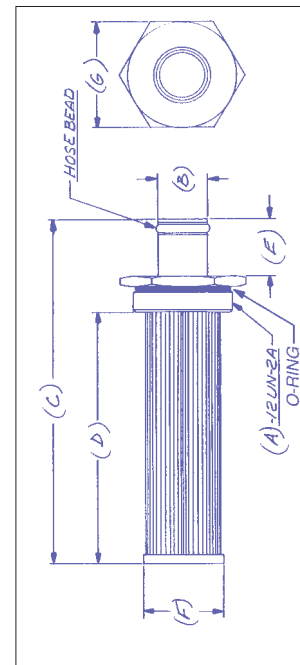
Specifications:

- S.A.E. to hose barbed tube
- Machined bushing
- Perforated steel support tubes
- 100 mesh stainless steel pleated elements

Options:

- No by-pass or 5 PSI by-pass
- 30, 60, 200 mesh screens available on request

*To specify by-pass option, add - R5.



DIMENSIONS

PART NUMBER	G.P.M.		A	B	C	D	E	F
LTMAB-2125	16	IN MM	2 1/2"-12	1 1/4"	10.3 262	7.9 201	1.25 32	2.1 53

S.A.E. STEEL BUSHING, HOSE BARB, METAL END CAP ZINC PLATED, 100 SS MESH
TO ORDER OTHER THAN 100 MESH ADD -30, 60, 200
TO SPECIFY BY-PASS OPTION, ADD RV5

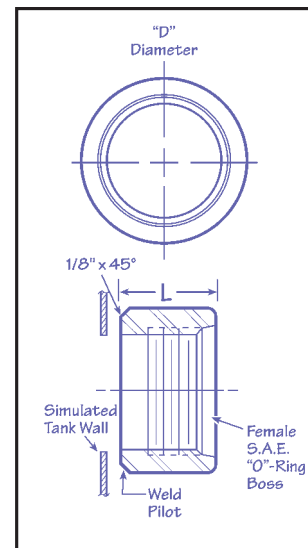
"LW-BA" WELD ADAPTERS

FEMALE S.A.E. "O-RING" WELD ADAPTER

LENZ "LW-BA" WELD ADAPTERS are designed and machined with a pilot to accurately position the adapter to the hole opening for welding flush to the outside of the tank. The Weld Adapter is a female S.A.E. O-ring connector for Lenz S.A.E. male straight thread fittings or any other Lenz hydraulic component with a male S.A.E. straight thread, making for a leak-free installation.



PART NUMBER	STAINLESS STEEL	FEMALE S.A.E.	L +.03	D DIA.
LW-BA-6	LW-BA-6-SS	9/16"-18	.70	.875
LW-BA-8	LW-BA-8-SS	3/4"-16	.85	1.125
LW-BA-10	LW-BA-10-SS	7/8"-14	.95	1.375
LW-BA-12	LW-BA-12-SS	1 1/16"-12	.95	1.375
LW-BA-14	LW-BA-14-SS	1 3/16"-12	1.1	1.625
LW-BA-16	LW-BA-16-SS	1 5/16"-12	1.1	1.625
LW-BA-20	LW-BA-20-SS	1 5/8"-12	1.1	2.125
LW-BA-24	LW-BA-24-SS	1 7/8"-12	1.1	2.50
LW-BA-32	LW-BA-32-SS	2 1/2"-12	1.2	3.00



Tank Mounted Strainers

LTF Series

Designed for ease of servicing.

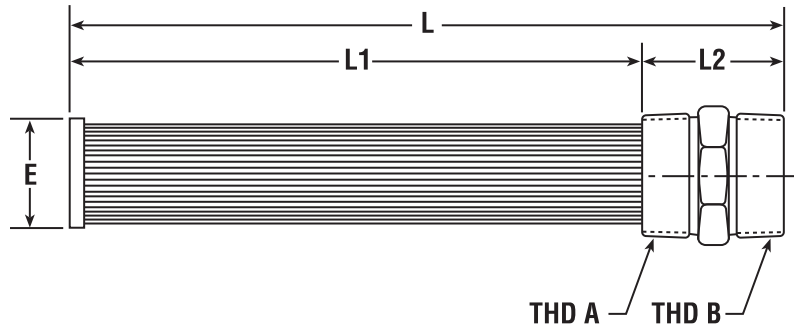
Access to tank interior is not necessary

Specifications

- Flows up to 49 GPM
- Cast iron bushing
- Perforated steel support tubes
- 100 mesh stainless steel pleated elements

Options

- No by-pass or 5 PSI by-pass
 - 30, 60, 200 mesh available upon to request
- To specify by-pass option add R5



DIMENSIONAL DETAIL

MODEL NUMBER		A	B	L	L1	L2	E
LTF-32	IN	2" NPT	2" NPT	13.5	10.75	2.7	2.1
	MM			343	273	69	53
LTF-32R5	IN	2" NPT	2" NPT	13.5	10.75	2.7	2.1
	MM			343	273	69	53

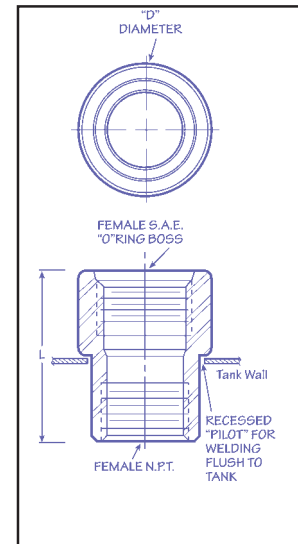
“AN-WB” WELD BUSHINGS

FEMALE S.A.E. “O-RING” TO FEMALE N.P.T.

LENZ “AN-WB” Weld Bushings are designed and machined with a recessed pilot to accurately position the adapter to the hole opening for welding flush during welding phase to the outside of the tank (the female S.A.E. “O-Ring” connection on top or side of tank, and the female N.P.T. connection on the inside of the tank) to save time and labor when installing components or accessories, (examples: S.A.E. hydraulic fittings to suction strainers or a return line diffuser) for a leak-free installation.



PART NUMBER	STAINLESS STEEL	FEMALE S.A.E.	FEMALE PIPE	L +.03	X PILOT DIA.	D DIA.
AN-WB-6-6	AN-WB-6-6-SS	9/16"-18	3/8"	1.41	.808	1.00
AN-WB-8-8	AN-WB-8-8-SS	3/4"-16	1/2"	1.72	.995	1.125
AN-WB-12-12	AN-WB-12-12-SS	1 1/16"-12	3/4"	1.98	1.275	1.50
AN-WB-16-16	AN-WB-16-16-SS	1 5/16"-12	1"	2.17	1.495	1.75
AN-WB-20-20	AN-WB-20-20-SS	1 5/8"-12	1 1/4"	2.25	1.870	2.125
AN-WB-24-24	AN-WB-24-24-SS	1 7/8"-12	1 1/2"	2.26	2.125	2.375
AN-WB-32-32	AN-WB-32-32-SS	2 1/2"-12	2"	2.41	3.00	3.25





Tank Mount Diffusers

Designed for ease of servicing.
Access to tank interior is not necessary

LTMD Series

Specifications:

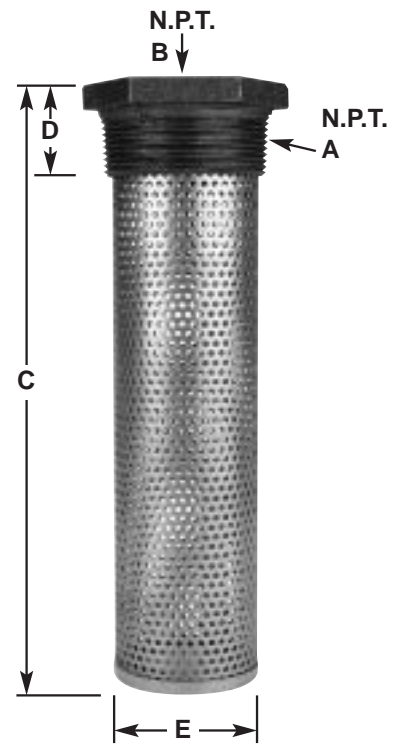
- Cast iron bushings
- Perforated steel support
- Temperatures to + 250° F (+121° C)

Options:

- SAE available - consult factory

Ordering Information

MODEL NUMBER	GPM RATING	PERF. OPEN AREA IN	NPT SIZES		C		D		E	
			A	B	IN.	MM.	IN.	MM.	IN.	MM.
LTMD-5	20	3.1	1"	1/2"	5.34"	135	1.06"	28	1.17"	29
LTMD-10	35	6.9	1 1/4"	3/4"	8.17"	207	1.20"	30	1.36"	34
LTMD-15	55	8.8	1 1/2"	1"	8.20"	208	1.22"	31	1.66"	42
LTMD-25	95	12.3	2"	1 1/4"	9.04"	229	1.35"	34	2.12"	53
LTMD-50	210	17	3"	2"	9.70"	246	1.70"	43	3.00"	76
LTMD-100	465	39	4"	3"	11.30"	287	1.80"	45	4.00"	101



LDFD SERIES DIFFUSERS

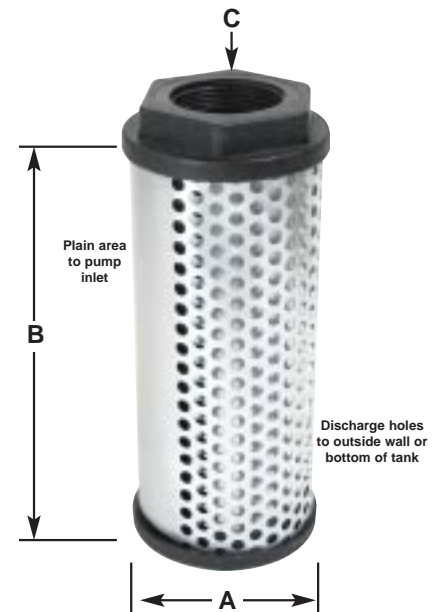
Designed for ease of servicing.

Specifications:

- Glass-filled nylon end caps
- Operating temperature range -13° F to 212° F (-25° C to 100° C)
- Up to 3" NPT port threads
- Flows to 250 GPM (945LPM)
- Zinc plated steel body
- Epoxy adhesives
- Maximum working pressure 300 PSI (20 Bar)
- Pressure drop at rated flows .5 PSI (.035 Bar)

Ordering Information

LENZ	MAX PORT	FLOW	A		B	HEX C
LDFD-10	1/2"	10	IN	2.5	5	1.2
			MM	44	104	30
LDFD-30	3/4"	15	IN	2.5	6.3	1.4
			MM	63	127	36
LDFD-60	1"	30	IN	2.5	6.3	1.8
			MM	63	159	46
LDFD-90	1 1/4"	55	IN	3.4	6.3	2.4
			MM	86	159	60
LDFD-120	1 1/2"	60	IN	3.4	8.3	2.4
			MM	86	210	60
LDFD-200	2"	120	IN	3.4	12.2	2.8
			MM	86	311	70
LDFD-250	2 1/2"	180	IN	5.9	8.3	3.5
			MM	150	211	90
LDFD-300	3"	250	IN	5.9	10.7	3.9
			MM	150	272	100



Operation

The LDFD series diffuser consists of two concentric steel tubes each with rows of discharge holes positioned over 120 degrees of their circumference arranged on opposite sides. The inner tube has fewer holes than the outer; to allow for oil velocity to be reduced in two stages as it passes from the inner tube to the outer tube and eventually into the reservoir. The LDFD series diffusers should be installed with the discharge area on the outside tube facing the tank wall or bottom.

Benefits

Designed to effectively reduce fluid aeration, foaming, turbulence, and noise caused by return lines. Pump life is also extended by reducing cavitation to the pump inlet.



Disc Sump Strainer Standard Types

Stacking Disc Sump Strainers

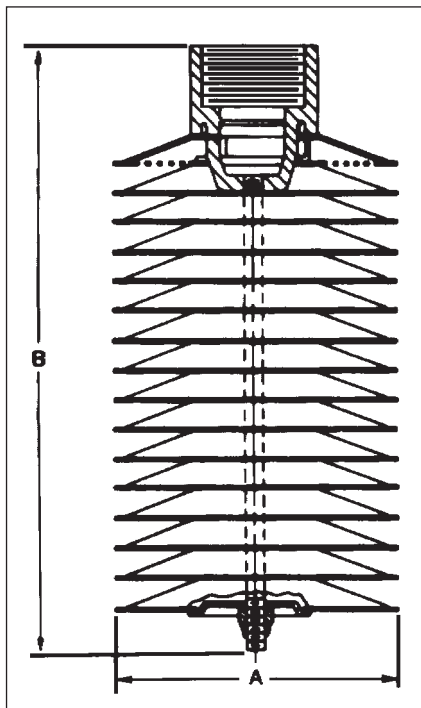
Model L-G

Lenz Model L-G Strainers are all-metal disc type, for all petroleum base and fire resistant hydraulic oils and other liquids such as water and fuels. They are designed to work efficiently installed in either a vertical or horizontal position.

Lenz Disc Type Strainers can be cleaned more completely than any other design because when the assembly is dismantled, every square inch of flat screen area can be scrubbed clean and inspected.

Because of the Lenz "Stacking" Disc design, it is possible to provide assemblies with filtering area ranging from 8 to more than 700 square inches by utilizing the four disc sizes shown in the table below (Dimension A)

These units may be ordered with 100, 60, or 30 mesh wire screen. (See Pg. 14) 100 mesh stainless Cloth supplied unless otherwise specified.



Standard Assemblies Available For Sump Application

100 Mesh Stainless Cloth Is Supplied Unless Otherwise Specified

MODEL NUMBER	GPM	PIPE SIZE NPT	DIMENSIONS		DISCS	FILTER AREA (SQ. IN.)
			A	B		
L75G5	5	3/4"	3 3/4"	4"	8	64"
L75G8	8	3/4"	3 3/4"	5 1/2"	12	96"
L100G10	10	1"	3 3/4"	7 3/8"	16	128"
L125G20	20	1 1/4"	4 1/4"	9 1/4"	21	214"
L150G30	30	1 1/2"	5"	9 3/8"	21	307"
L150G50	50	1 1/2"	5"	10 7/8"	25	365"
L200G60	60	2"	6"	7 7/8"	18	380"
L200G75	75	2"	6"	9 1/4"	22	464"
L250G85	85	2 1/2"	6"	10 1/8"	24	507"
L250G100	100	2 1/2"	6"	11 5/8"	28	591"

NOTE: * area based on following: 8.0" sq. in. per 3.75" disc / 10.2" sq. in. per 4.25" disc / 14.6" sq. in. per 5" disc / 21.1" sq. in. per 6" disc.

Low Disc Strainers

Model D

MODEL NUMBER	PIPE SIZE NPT	HEIGHT	DISCS	AREA SQ. IN.
37-D-1	3/8"	1"	1	8"
37-D-2	3/8"	1 3/8"	2	16"
37-D-3	3/8"	1 3/4"	3	24"
50-D-1	1/2"	1 1/8"	1	8"
50-D-2	1/2"	1 1/2"	2	16"
50-D-3	1/2"	1 7/8"	3	24"
50-D-5	1/2"	2 5/8"	5	40"
75-D-3	3/4"	2 1/4"	3	24"
75-D-4	3/4"	2 5/8"	4	32"
75-D-5	3/4"	3"	5	40"
100-D-6	1"	3 5/8"	6	48"
100-D-7	1"	4"	7	56"

Low in price, these compact strainers are designed for low oil levels and small tanks found in scissor lifts, lift trucks, and other applications where efficiency counts most. They are perfect for shallow tanks work well in fluid levels as low as 3/4".

• Available on special order: 6" dia. discs which have 21.1 sq. in. screen area per disc. 3/4" or 1" NPT pipe size.



NOTE: * 8.0 sq. in. per 3 3/4"

See Pg. 13 (Bottom) for view of screen



Disc Sump Strainers/Magnetic Types

Magnetic Disc Sump Strainers

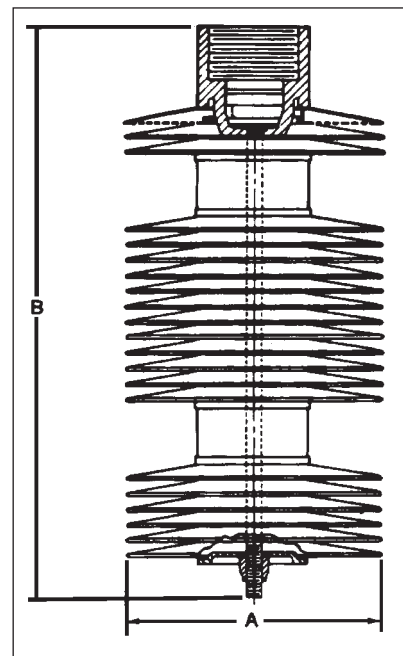
Model ML-G

Lenz Model ML-G Strainers add magnetic separation to the efficient straining action of the stacking disc design. Powerful Alnico magnets attract iron particles to the disc covers and away from the stainless screen. Oil passing through the center of the magnets gets a secondary cleaning action. The magnets are an integral part of the assembly, not just an add-on feature. Meets J.I.C. specifications calling for magnetism in hydraulic systems. Die cast aluminum pipe adapters effectively isolate Lenz Magnetic Disc Sump Strainers from steel intake piping. When the unit is disassembled, the iron particles simply drop off the disc covers. These units may be ordered with 100, 60, or 30 mesh wire screen. (See Pg.14 for mesh sizes)



MODEL NUMBER	GPM	PIPE SIZE NPT	DIMENSIONS		MAGNETS NO. & DIA.	DISC	FILTER AREA* (SQ. IN.)
			A	B			
ML75G5	5	3/4"	3 3/4"	5"	1-2"	8	64"
ML75G8	8	3/4"	3 3/4"	6 1/2"	1-2"	12	96"
ML100G10	10	1"	3 3/4"	9 3/8"	2-2"	16	128"
ML125G20	20	1 1/4"	4 1/4"	11 1/4"	2-2 1/2"	21	214"
ML150G30	30	1 1/2"	5"	11 3/8"	2-2 1/2"	21	307"
ML150G50	50	1 1/2"	5"	13 7/8"	3-2 1/2"	25	365"
ML200G60	60	2"	6"	10 1/8"	2-3"	18	380"
ML200G75	75	2"	6"	11 5/8"	2-3"	22	464"
ML250G85	85	2 1/2"	6"	12 3/8"	2-3"	24	507"
ML250G100	100	2 1/2"	6"	14 7/8"	3-3"	28	591"

NOTE: *area based on following: 8.0 sq. in. per 3 3/4" disc • 10.2 sq. in. per 4 1/4" disc • 14.6 sq. in. per 5" disc • 21.1 sq. in. per 6" disc



MAGNETIC LOW DISC STRAINERS

Model MD

Lenz Model M D Strainers combine magnetic separation and low profile disc construction. A cylindrical magnet mounted between discs makes a concentrated magnetic field through which all oil passes.

- Available on special order: 6" dia. discs which have 21.1 sq. in. screen area per disc. 3/4" or 1" NPT pipe size.

MODEL NUMBER	PIPE SIZE NPT	HEIGHT	DISCS	AREA* (Sq. In.)
37MD1	3/8"	2"	1	8"
37MD2	3/8"	2 3/8"	2	16"
37MD3	3/8"	2 3/4"	3	24"
50MD1	1/2"	2 1/8"	1	8"
50MD2	1/2"	2 1/2"	2	16"
50MD3	1/2"	2 7/8"	3	24"
50MD5	1/2"	3 5/8"	5	40"
75MD3	3/4"	3 1/4"	3	24"
75MD4	3/4"	3 5/8"	4	32"
75MD5	3/4"	4"	5	40"
100MD6	1"	4 5/8"	6	48"
100MD7	1"	5"	7	56"



See Pg. 13 (Bottom) for view of screen



Return Line Sump Diffusers Disc Types

Prevents Oil From Foaming

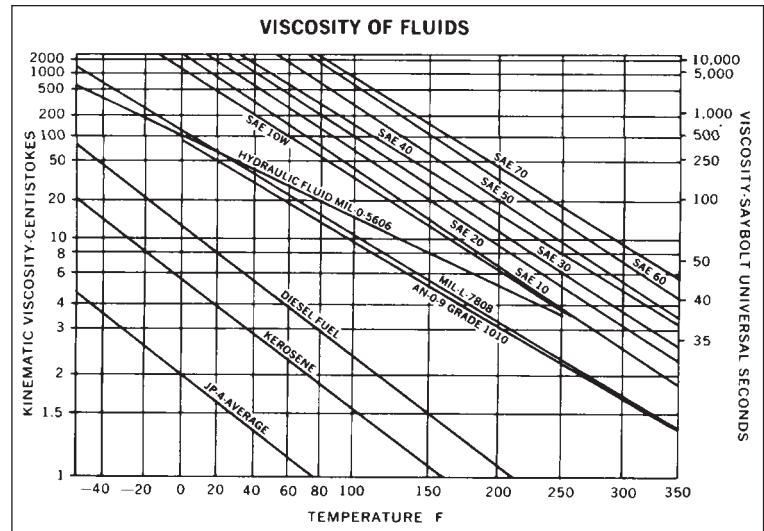
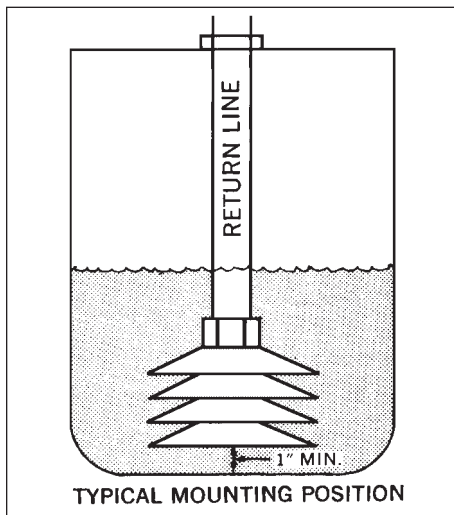
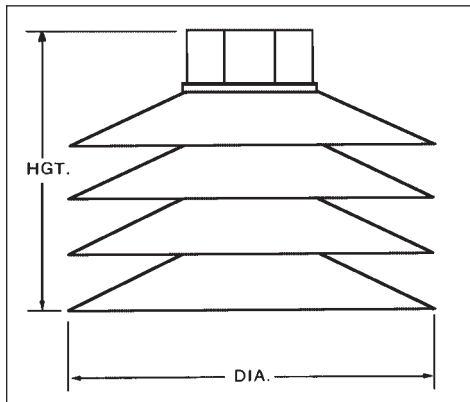
Model R

Return Line Sump Diffusers are used to reduce the velocity of oil returning from the hydraulic system and are installed on the end of the return line, inside the reservoir. A velocity of 1 foot per second or less is desirable to prevent foaming and channeling of the hot oil.

Lenz Disc Type Sump Diffusers are designed to slow down and spread out the returning oil, to mix with remaining cool oil in the sump. Specify 8 or 30 mesh wire cloth in these assemblies.



MODEL NUMBERS	PIPE SIZE	GPM	DIMENSIONS	
			DIA.	HGT.
75R2	3/4"	25	3 3/4"	1 3/4"
100R3	1"	40	3 3/4"	2 1/2"
125R3	1 1/4"	50	4 1/4"	2 9/16"
150R3	1 1/2"	60	5"	2 5/8"
150R4	1 1/2"	80	5"	3"
200R3	2"	90	6"	2 3/8"
200R4	2"	115	6"	2 3/4"
250R4	2 1/2"	115	6"	3"



LENZ FILTERS – ACTUAL SIZE MESH

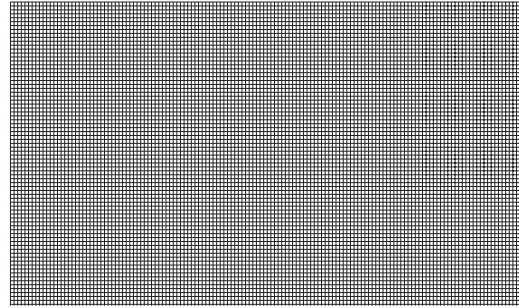
LENZ Cleanable Wire Cloth Filters are equipped with Stainless Steel Wire Cloth Elements. The filtering insert elements are available from a coarse 30 mesh up to a fine 200 mesh. To better illustrate mesh sizes, we have shown below the actual size mesh of the 100, 80, 50, 40, and 30 mesh stainless steel wire screen. In addition 10 and 30 micron pleated, paper elements are available.

We stock the 200, 100, 60, and 30 Stainless Steel Wire Mesh Screen. (100 Mesh—Standard)



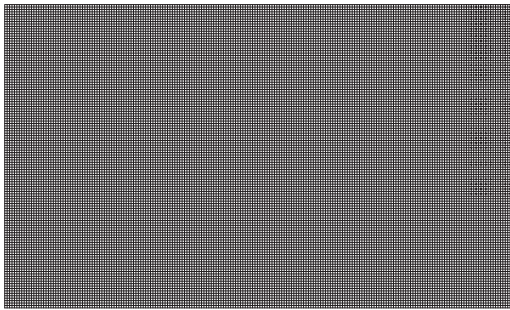
100 MESH

Wire diameter .0045
Width of opening .0055 = 141 Microns



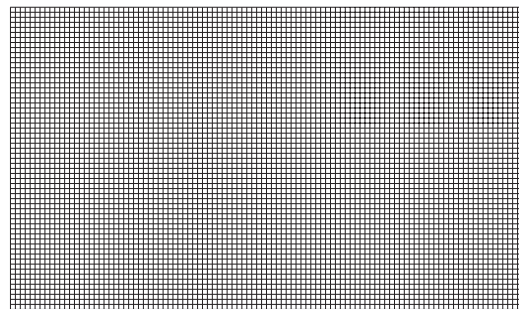
50 MESH

Wire diameter .0080
Width of opening .0120 = 308 Microns



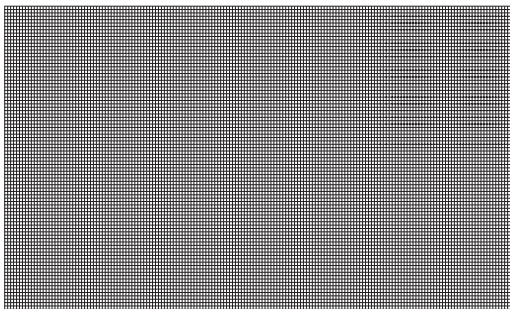
80 MESH

Wire diameter .0055
Width of opening .0070 = 180 Microns



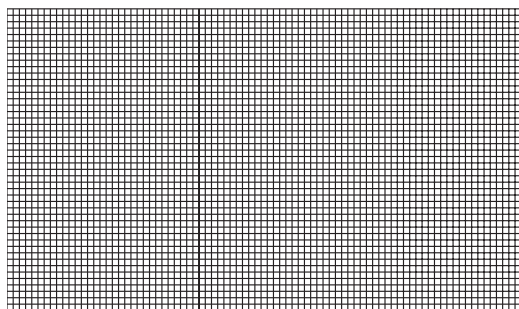
40 MESH

Wire diameter .0100
Width of opening .0150 = 385 Microns



60 MESH

Wire diameter .0065
Width of opening .0102 = 262 Microns



30 MESH

Wire diameter .0120
Width of opening .0213 = 546 Microns

150 MESH

Wire diameter .0026
Width of opening .0041
Microns = 105

200 MESH

Wire diameter .0021
Width of opening .0029
Microns = 74

