

# Hydraulic Gear Pump Model GP-F20

## Technical Data

Model GP-F20 offers aluminium body and cast Iron end plate construction, high pressure Hydraulic Gear Pump with 11 displacement sizes from 0.24 to 1.95 cu.in/rev. (4 to 32 cm<sup>3</sup>/rev). The standard mounting flange is SAE A – 2 bolt, The standard drive shaft is a 5/8 inch diameter straight with 5/32 straight key.



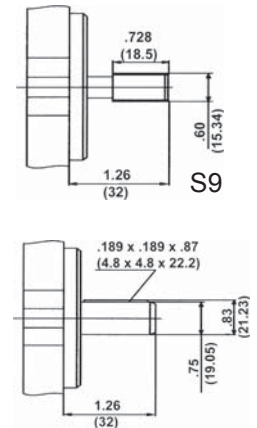
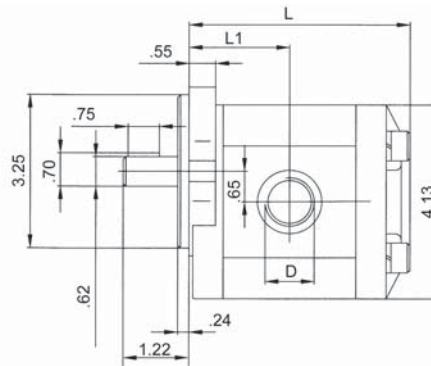
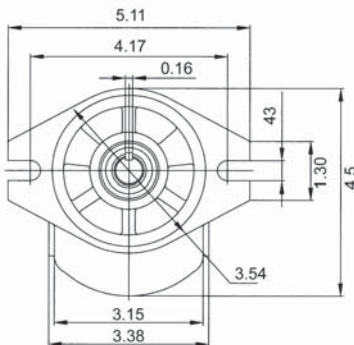
Model	Displacement		Pressure		Speed RPM		Weight	
	cu.in/rev	cm <sup>3</sup> /rev	PSI	Mpa	Rated	Max	Lbs.	Kg
GP-F20-04	0.24	4	3650	25	2000	3600	7.80	3.54
GP-F20-06	0.36	6	3650	25	2000	3600	8.05	3.65
GP-F20-08	0.48	8	3650	25	2000	3600	8.25	3.74
GP-F20-10	0.61	10	3650	25	2000	3600	8.30	3.76
GP-F20-12	0.73	12	3650	25	2000	3600	8.55	3.88
GP-F20-14	0.85	14	3650	25	2000	3600	8.70	3.95
GP-F20-16	0.97	16	2900	20	2000	3600	8.85	4.01
GP-F20-20	1.22	20	2900	20	2000	3600	9.30	4.22
GP-F20-25	1.52	25	2900	20	2000	3600	9.80	4.45
GP-F20-30	1.83	30	2300	16	2000	3600	10.25	4.65
GP-F20-32	1.95	32	2300	16	2000	3600	10.60	4.76

Recommended working conditions:

1. FILTRATION 25 micron or better
2. OIL VISCOSITY 6 to 200 cSt
3. INLET PRESSURE 12 to 32 psi abs. (-12 to 175 degrees F).
4. OIL TEMPERATURE -25 to 80 degrees C (-12 to 175 degrees F).
5. AMBIENT -22 to 55 degrees C (-8 to 130 degrees F).

Flow rate in gpm  
 Displacement (cu.in/rev) X speed (rpm) / 231  
 Volumetric efficiency % ≥93

## Installation Data



Model	L		L1		SAE Ports	
	mm	In.	mm	In.	In	Out
GP-F20-04	96	3.78	44	1.73	-12	-10
GP-F20-06	98	3.87	45	1.77	-12	-10
GP-F20-08	102	4.01	47	1.85	-12	-10
GP-F20-10	104	4.12	48	1.89	-12	-10
GP-F20-12	108	4.25	50	1.97	-12	-10
GP-F20-14	110	4.35	51	2.00	-12	-10

Model	L		L1		SAE Ports	
	mm	In.	mm	In.	In	Out
GP-F20-16	114	4.50	53	2.08	-12	-10
GP-F20-20	120	4.72	56	2.20	-12	-10
GP-F20-25	128	5.05	60	2.36	-12	-10
GP-F20-30	136	5.35	64	2.52	-16	-12
GP-F20-32	147	5.79	73	2.87	-16	-12

P1

## Ordering Information

GP - F20 - 16 - P - C

Aluminum  
Gear Pump

High  
Pressure  
Series

Displacement  
cm<sup>3</sup>/rev  
(see chart)  
04/06/08/10/12  
14/16/20/25/30  
32

Drive  
Shaft  
P-5/8 Dia  
Straight  
P1-3/4 Dia  
Straight  
S9-Spline 9 tooth

Rotation  
Direction  
C- Clockwise  
A-Counter Clockwise  
(viewed from drive shaft end)

Additional optional shafts  
available please consult factory