

## FLOW CONTROL VALVES

Flow Control Valves offer precision regulation of flow rate to simplify system design while enhancing fluid management capabilities. Hydro Custom Flow Control Valves feature :

**Material:** Zinc plated steel body

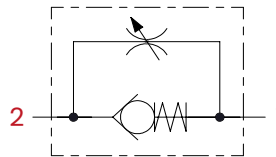
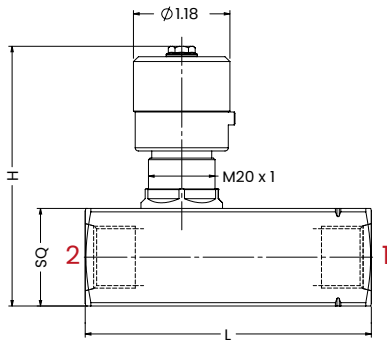
**Recommended working conditions:**

- Filtration: 15 microns or better
- Ambient temperature: -4° to 122°F (-20° to 50°C)
- Oil Viscosity: 15° to 250 cSt
- Oil Temperature: -4° to 176°F (-20° to 80°C)

## UNIDIRECTIONAL

These valves regulate the speed of an actuator in one direction and allow full speed in the opposite direction.

## DIMENSIONS

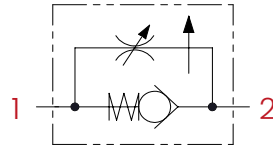
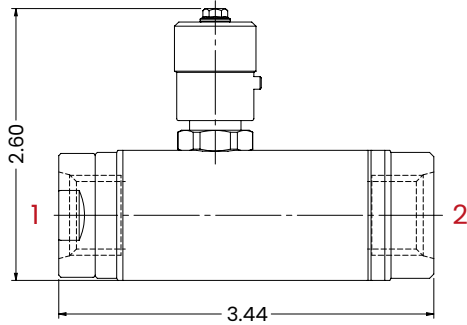


Bailey Part No.	Model Code	Port Size	Pressure psi	Flow gpm	L	Dimensions in		Weight lb
						H	SQ	
450700	FC-04N	1/4 NPT	5,800	6.6	2.63	2.99	0.98	0.88
450702	FC-06N	3/8 NPT	5,800	9.3	3.03	2.99	0.98	0.88
450704	FC-08N	1/2 NPT	5,800	13.2	3.38	3.19	1.18	1.32
450701	FC-06S	SAE-06	5,800	6.6	2.77	2.99	0.98	0.88
450703	FC-08S	SAE-08	5,800	9.3	3.38	3.19	1.18	0.88

### PRESSURE COMPENSATED

These valves allow free passage of oil in one direction and regulate the flow in the opposite direction. The internal compensation system keeps the actuator speed constant regardless of the load.

#### DIMENSIONS

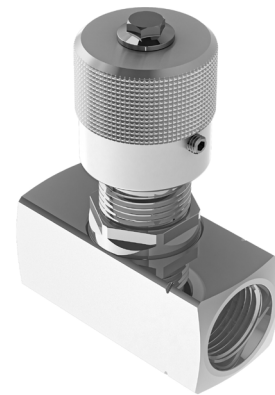
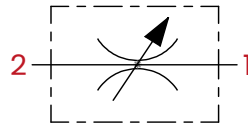
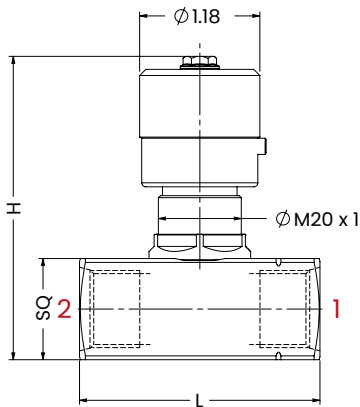


Bailey Part No.	Model Code	Port Size	Pressure psi	Flow gpm	Dimensions in		Weight lb
					L	H	
450707	FCC-06S	SAE-06	3,625	6.6	3.44	2.60	1.10
450708	FCC-08S	SAE-08	3,625	7.9	3.44	2.60	1.10

### NEEDLE VALVES

These bidirectional flow control valves regulate the speed of an actuator in both directions.

#### DIMENSIONS



Bailey Part No.	Model Code	Port Size	Pressure psi	Flow gpm	L	Dimensions in		Weight lb
						H	SQ	
450709	NV-04N	1/4 NPT	5,800	6.6	2.13	2.99	0.98	0.66
450711	NV-06N	3/8 NPT	5,800	9.3	2.13	2.99	0.98	0.62
450712	NV-08N	1/2 NPT	5,800	13.2	2.28	3.19	1.18	0.99
450710	NV-06S	SAE-06	5,800	6.6	2.13	2.99	0.98	0.66