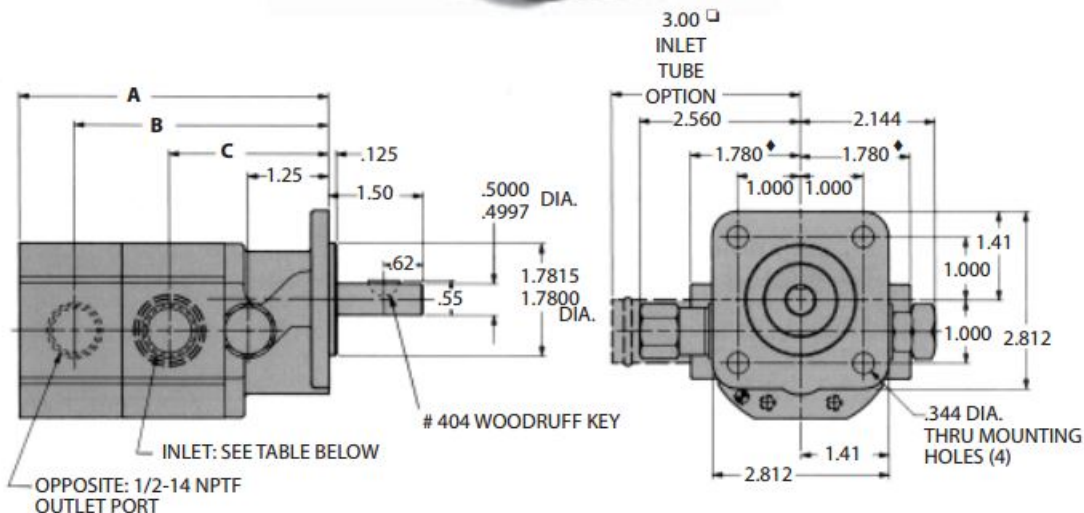


DIMENSIONAL DRAWINGS

GC Series



GC Series

P/N	Nominal Flow GPM *	Rotation	Shaft		Mount Type	Ports **		Dimensions (inches)		
			Dia.	Ext.		Inlet	Outlet	A	B	C
1300483	5	CW	1/2	1.5"	4-bolt	◆ 1/2" NPTF	1/2" NPTF	4.91	4.03	2.53
1300484	7	CW	1/2	1.5"	4-bolt	◆ 1/2" NPTF	1/2" NPTF	4.91	4.03	2.53
1300485	9	CW	1/2	1.5"	4-bolt	◆ 1/2" NPTF	1/2" NPTF	4.91	4.03	2.53
1300356	11	CW	1/2	1.5"	4-bolt	◆ 1/2" NPTF	1/2" NPTF	4.91	4.03	2.53
1300357	11	✦ CCW	1/2	1.5"	4-bolt	◆ 1/2" NPTF	1/2" NPTF	4.91	4.03	2.53
1300159	11	CW	1/2	1.5"	4-bolt	✱ 1" tube	1/2" NPTF	4.91	4.03	2.53
1300486 ■	13	CW	1/2	1.5"	4-bolt	✱ 1" tube	1/2" NPTF	5.47	4.59	3.09
1300487 ■	16	CW	1/2	1.5"	4-bolt	✱ 1" tube	1/2" NPTF	5.47	4.59	3.09

* At 3600 RPM.

** SAE ports available, consult factory.

✦ Ports and valves on opposite side of casting.

✓ As viewed from the shaft end.

■ These two pumps have square keys, 1/8" x 1", instead of #404 Woodruff Key.

✱ Indicates a 1" inlet tube is used.

◆ Indicates 1/2" NPTF port.