



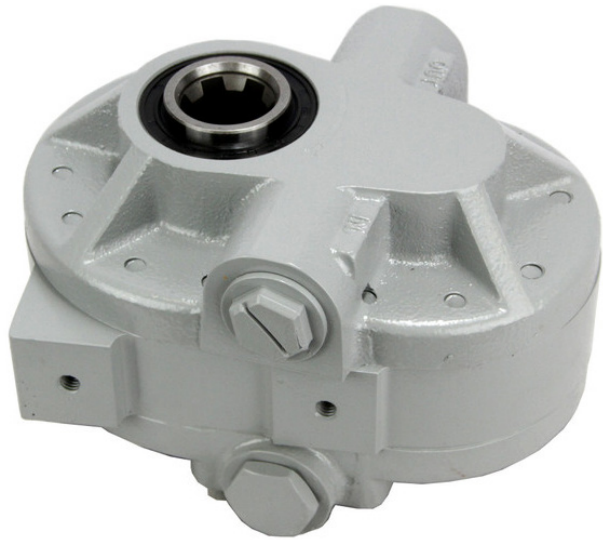
# Gear Pumps

## PTO Tractor Pumps

Chief GP-PTO Series gear pumps are made to be put on the Power Take Off (PTO) of a tractor. There are four displacement sizes, from 3.41 to 9.76in<sup>3</sup>/rev (56-160cm<sup>3</sup>/rev). Cast iron and aluminium bodies are available.

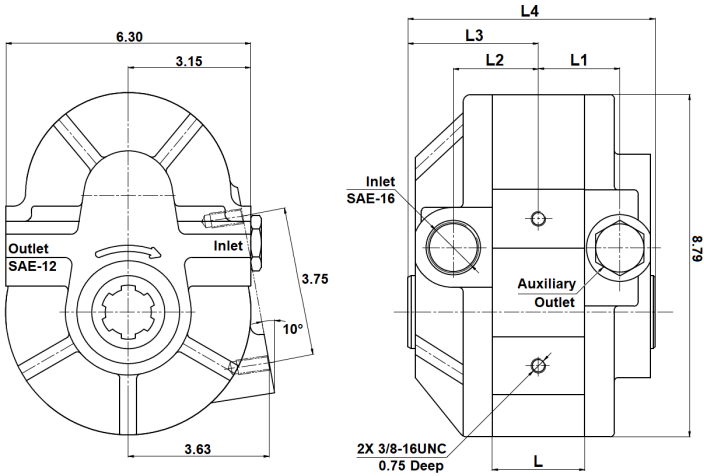
### Recommended working conditions:

- Filtration: 25 micron or better
- Inlet pressure: 12 to 32 PSI absolute
- Oil Viscosity: 6 to 200 cSt
- Ambient Temperature: -8 to 130°F (-22 to 55°C)
- Oil Temperature: -12 to 175°F (-25 to 80°C)



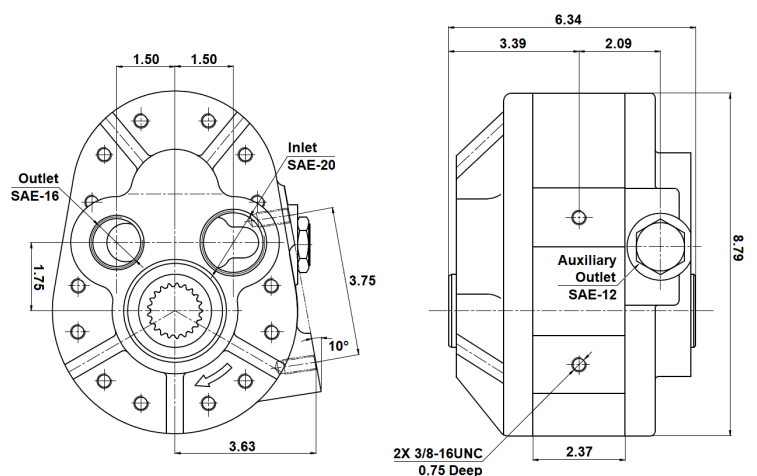
### Dimensions

Shaft: 1-3/8" female spline, 6 tooth



### Dimensions for Part No. 253566 & 253554

Shaft: 1-3/8" female spline, 21 tooth






Part No.	Dimensions (in)					
	L	L1	L2	L3	L4	
253567	1.26	1.53	1.67	2.80	5.24	
253557	1.63	1.73	1.87	2.99	5.59	
253558	1.63	1.73	1.87	2.99	5.59	
253555	2.00	1.89	2.05	3.19	5.94	
253560	2.37	2.09	2.40	3.39	6.34	
253562	2.37	2.09	2.40	3.39	6.34	
253565	1.63	1.73	1.87	2.99	5.59	

## Model Codes and Specifications

Part No.	Model Code	Displacement in <sup>3</sup> (cm <sup>3</sup> ) / rev	Speed (RPM)		Flow (GPM) @ rated speed	Pressure Max (PSI)	Port Size		Weight (lbs)
			Rated	Max			Inlet	Outlet	
253567	GP-PTO-7-540	3.41 (56)	540	595	7.4	2250	SAE-16	SAE-12	33.0
253557	GP-PTO-12-540	5.49 (90)	540	595	12	2250	SAE-16	SAE-12	36.0
253558*	GP-PTO-12-540C	5.49 (90)	540	595	12	2250	SAE-16	SAE-12	44.0
253555	GP-PTO-16-540	7.62 (125)	540	595	16.5	2250	SAE-16	SAE-12	38.0
253560	GP-PTO-21-540	9.76 (160)	540	595	21	2250	SAE-16	SAE-12	40.0
253562*	GP-PTO-21-540C	9.76 (160)	540	595	21	2250	SAE-16	SAE-12	54.0
253565	GP-PTO-22-1000	5.49 (90)	1000	1100	22	2250	SAE-16	SAE-12	36.0
253566	GP-PTO-40-1000	9.76 (160)	1000	1100	40	2250	SAE-20	SAE-16	40.0
253554*	GP-PTO-40-1000C	9.76 (160)	1000	1100	40	2250	SAE-20	SAE-16	54.0

\*Cast iron body for better resistance to contamination



 1-800-800-1810  
 hydraulicsales@baileyintl.com  
 baileyintl.com

