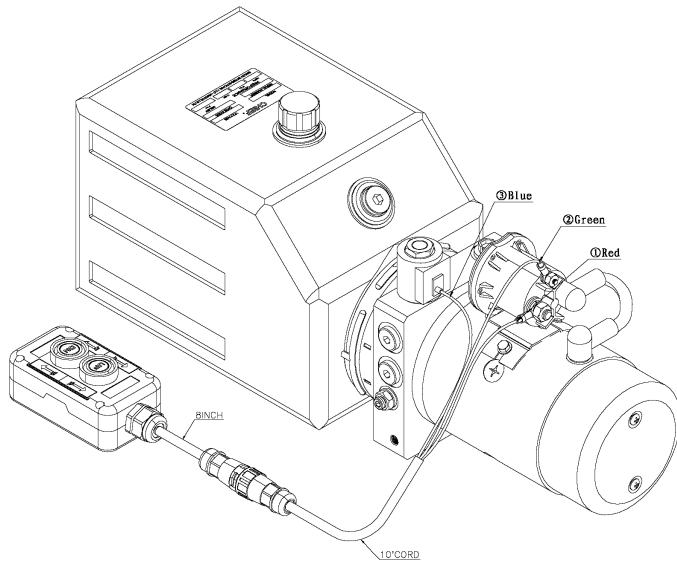


Single Acting HPU – 1.3 GPM, 6qt. Poly



#253329

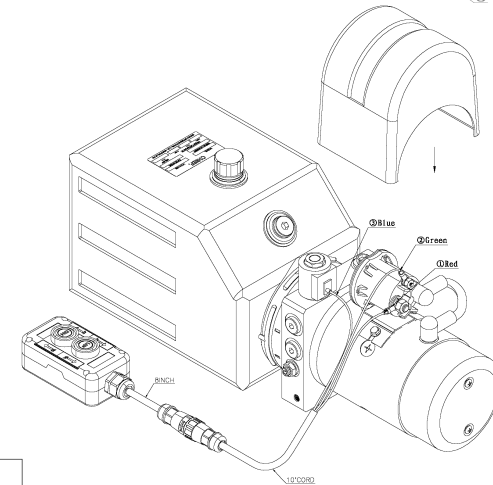
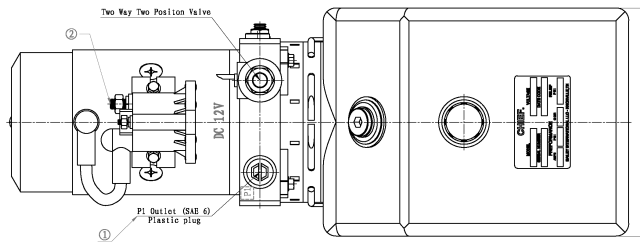
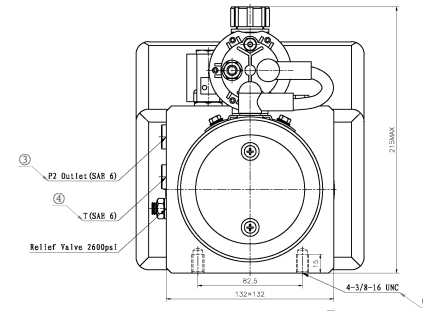
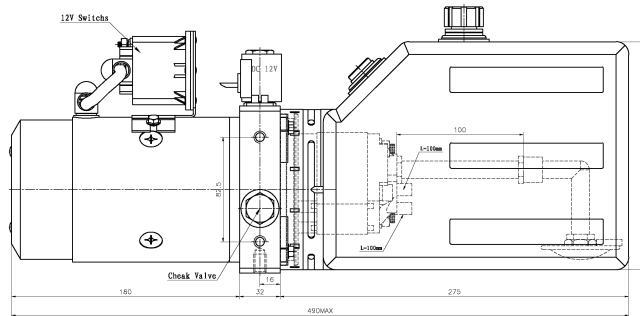
**Note, the ground battery cable contacts to the open hole labeled "GND" on the manifold. The battery power cable connects to the starting solenoid where the "red" wire from the remote is located (see drawing).*

Single acting hydraulic power unit with fixed flow control (gravity down). This unit's end-head has been updated to make testing and relief adjustment much easier. The DC motor has been painted and a plastic cover is included for protection from the elements. The orientation of the suction pick-up tube allows dual mounting - vertical or horizontal. A wide strainer and strong magnet are used to prevent system contamination. The 2-button pendant remote is prewired and comes with a 10' cord that includes a male and female quick-disconnect. A lock-out function has been added to the remote so that the "up" and "down" functions cannot be activated at the same time. The porting is marked "P2" for extend power and "T" for tank. All electrical wires pigtail and can be grounded to the chassis via the end-head. Solenoid valve wires are secured internally in the coil for protection. All units are tested before shipping.

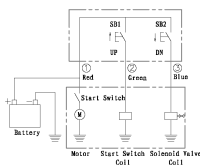
FEATURES

- GPM: 1.3
- Pump: 2.1 cc/r
- Port Size: SAE 6
- PSI: 2,800
- Relief: 2,600
- Tank Size: Poly 6 qt. effective volume
- Mounting: Dual, vertical or horizontal
- Valving: Solenoid Operated; 2-way, 2 Position
- Length: 19.3"
- Width: 7" Height: 7"
- Remote: 2-button pendant with male-female quick disconnect

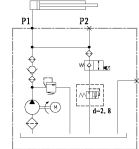
Product Dimensions - #253329



ELECTRICAL SCHEMATIC



Hydraulic Circuit



MOTOR	12V 1.6Kw (303)
PUMP	2.1cc/r
RELIEF	2600psi (180bar)
TANK	P-B effective volume (6.0L) Fuel tank capacity (8.5L)

**Units in mm.*