

250-528



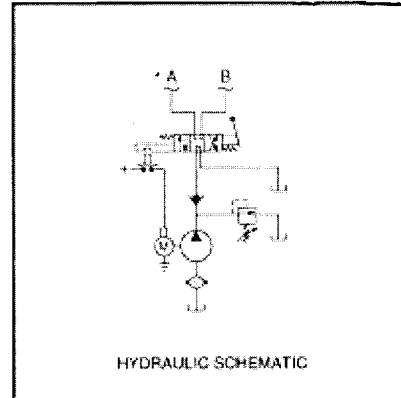
Monarch D.C. Hydraulic Power Systems

Model M-310

How to Order Your M-310 Dyna-Jack

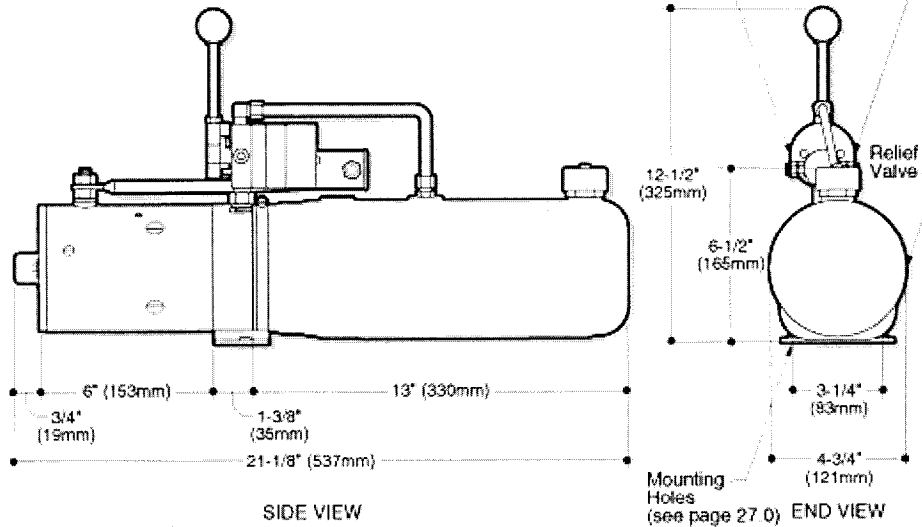
Description:

- Pump/Motor/Reservoir/Valve
- Check Valve
- 4-Way Manually Operated Valve With Cam Actuated Motor Start Switch
- Externally Adjustable Relief Valve
- .250 Inch NPT Outlets
- Horizontal Mounting Standard



Popular Options:

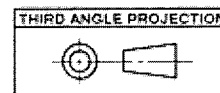
- Orifice for Controlling Pressure on A and/or B Ports Available
- Vertical Mounting. Motor Up.



Optional Eye-Bolt



[Back to Top of Page](#)





Monarch D.C. Hydraulic Power Systems

How to Order Your M-310 Dyna-Jack®

Select from the following option. Comprehensive information may be found by clicking on the linked table headings in each selection category.

[Back to Model M-310 Page](#)

MODEL M-310-

PUMP	MOTOR	VOLTAGE	RESERVOIR (LENGTH)	MOUNTING BRACKET	MOUNTING POSITION	OPTIONAL ACCESSORIES
72	08053	12	4.5 x 8	04560	Horizontal	01436
73	08111	12	4.5 x 10	04559		01516
62	08058	12	4.5 x 12	02238		03171
42	08112	12	4.5 x 13		Vertical	01143
43	08092	12				01670
03	08117	12	6 x 9			03219
51	08056	12	6 x 10			01434
	08100	12	6 x 13.5			01790
	08050	12	6 x 18.0			00570
	08163	12				00904
	08051	24	6.25 x 7 x 7			00620-X.XX
	08035	24	6.25 x 7 x 10			01875
	08120	24	6.25 x 7 x 12			04369
	08057	24	6.25 x 7 x 15			01425
	08055	36	6.25 x 7 x 21			01506
	08168	36				03981
	08055	48	10 x 7 x 21			
	08040	48				Special
	08174	72	10 x 10 x 14			
	Special		Special			

[Back to Top of Page](#)